

# **BSIMSOI4.3 MOSFET MODEL**

## **Users' Manual**

**BSIM GROUP**  
**December 2009**

**Department of Electrical Engineering and Computer Sciences**  
**University of California, Berkeley, CA 94720**

**Copyright © 2009**  
**The Regents of the University of California**  
**All Rights Reserved**

---

**B4SOI Developers:**

- Dr. Wenwei Yang
- Dr. Chung-Hsun Lin
- Dr. Tanvir Hasan Morshed
- Mr. Darsen Lu
- Prof. Ali Niknejad
- Prof. Chenming Hu

**Previous BSIMSOI/BSIMPD Developers:**

- Mr. Hui Wan
- Dr. Xuemei Xi
- Dr. Samuel Fung
- Dr. Dennis Sinitsky
- Dr. Stephen Tang
- Dr. Pin Su
- Dr. Weidong Liu
- Dr. Robert Tu
- Prof. Mansun Chan
- Prof. Ping K. Ko
- Prof. Chenming Hu

BSIMSOI4 web site with BSIM source code and documents:

<http://www-device.eecs.berkeley.edu/~bsimsoi/>

---

## **Acknowledgement:**

BSIMSOIv4.3 model is backward compatible with its previous versions (BSIMSOI4.2 or below). The development of BSIMSOIv4.3 and v4.2 benefited from the input of many BSIMSOI users, especially the Compact Model Council (CMC) member companies. The developers would like to thank Joe Watts, Richard Q Williams, Lawrence Wagner and Calvin Bittner at IBM, Joddy Wang, Jane Xi, Weidong Liu and Song Bai at Synopsys, Geoffrey Coram at ADI, Jushan Xie and Yafei Yan at Cadence, Samuel Mertens at Ansoft, Brian Chen, Abo El-Hadid Ahmed and Ramadan Ahmed at Mentor graphics, Jung-Suk Goo, Niraj Subba, and Sushant Suryagandh at AMD, Ben Gu at Freescale, James Ma at BSIMProPlus for their valuable assistance in identifying the desirable modifications and testing of the new model. Special thanks to the following CMC member companies for their excellent interaction and contributions through the forum for improving and bug-fixing the BSIMSOI 4.3 version.

The BSIM project is partially supported by SRC and CMC.

<b>Chapter 1: Introduction</b>	<b>1</b>
<b>Chapter 2: MOS I-V Model</b>	<b>4</b>
<b>2.1. Floating Body Operation and Effective Body Potential</b>	<b>5</b>
<b>2.2. Threshold Voltage in the High V<sub>bs</sub> Regime</b>	<b>6</b>
<b>2.2.1. Linear Extrapolation for the Square-Root Expression</b>	<b>6</b>
<b>2.2.2. Width Dependence of the Body Effect</b>	<b>6</b>
<b>2.3. Bulk Charge Effect in the High V<sub>bs</sub> Regime</b>	<b>6</b>
<b>2.4. Asymmetric and Bias-Dependent Source/Drain Resistance Model</b>	<b>7</b>
<b>2.5. Single Drain Current Equation</b>	<b>8</b>
<b>Chapter 3: Body Currents Model</b>	<b>10</b>
<b>3.1. Diode and Parasitic BJT Currents</b>	<b>10</b>
<b>3.2. New Impact Ionization Current Equation</b>	<b>13</b>
<b>3.3. Gate Induced Source/Drain Leakage Current</b>	<b>15</b>
<b>3.4. Oxide Tunneling Current</b>	<b>16</b>
<b>3.5. Body Contact Current</b>	<b>17</b>
<b>3.6. Body Contact Parasitics</b>	<b>18</b>
<b>Chapter 4: MOS C-V Model</b>	<b>19</b>
<b>4.1. Charge Conservation</b>	<b>21</b>
<b>4.2. Intrinsic Charges</b>	<b>22</b>
<b>4.3. Source/Drain Junction Charges</b>	<b>24</b>

4.4. Extrinsic Capacitances	25
4.5. Body Contact Parasitics	27
4.6 Finite Thickness Formulation	29
<b>Chapter 5: Temperature Dependence and Self-Heating</b>	<b>32</b>
5.1. Temperature Dependence	32
5.2. Self-Heating Implementation	33
<b>Chapter 6: BSIMSOI –A Unified Model for PD and FD SOI MOSFETs</b>	<b>35</b>
6.1. BSIMSOI Framework and Built-In Potential Lowering Model	35
6.2. Verification	39
6.3. Model Selector SOIMOD	41
<b>Chapter 7: BSIMSOI RF Model</b>	<b>44</b>
7.1 Gate Electrode and Intrinsic-Input Resistance (IIR) Model	44
7.2 Body Resistance Network	46
<b>Chapter 8: BSIMSOI Noise Model</b>	<b>47</b>
8.1 Flicker noise models	47
8.2 Thermal noise models	49
8.3 Other improvement on noise model	51
<b>Chapter 9: Stress Effect Model</b>	<b>52</b>
9.1 Mobility Related Equations	52
9.2 $V_{th}$ -related Equations	54
9.3 Multiple Finger Device	55
<b>Chapter 10: New Material Model</b>	<b>56</b>
10.1 Non-Silicon Channel	56
10.2 Non-SiO <sub>2</sub> Gate insulator	57

<b>10.3 Non-Poly Silicon Gate Dielectric</b>	<b>57</b>
<b>Appendix A: Model Instance Syntax</b>	<b>59</b>
<b>A.2. About Optional Nodes</b>	<b>61</b>
<b>A.3. Notes on Debugging</b>	<b>61</b>
<b>Appendix B: Model Parameter List</b>	<b>64</b>
<b>B.1. BSIMSOI Model Control Parameters</b>	<b>64</b>
<b>B.2. Process Parameters</b>	<b>65</b>
<b>B.3. DC Parameters</b>	<b>66</b>
<b>B.4. Gate-to-body tunneling parameters</b>	<b>74</b>
<b>B.5. AC and Capacitance Parameters</b>	<b>75</b>
<b>B.6. Temperature Parameters</b>	<b>77</b>
<b>B.7. BSIMSOI Built-In Potential Lowering (<math>\Delta V_{bi}</math>) Model Parameters</b>	<b>79</b>
<b>B.8. BSIMSOI RF Model Parameters</b>	<b>80</b>
<b>B.9. BSIMSOI Noise Model Parameters</b>	<b>81</b>
<b>B.10. BSIMSOI Stress Model Parameters</b>	<b>81</b>
<b>B.11. Model Parameter Notes</b>	<b>82</b>
<b>Appendix C: Equation List</b>	<b>85</b>
<b>C1: Equation List for BSIMSOI Built-In Potential Lowering Calculation</b>	<b>85</b>
<b>C2: Equation List for BSIMPD IV</b>	<b>88</b>
<b>Appendix D: Parameter Extraction</b>	<b>109</b>
<b>D.1. Extraction Strategy</b>	<b>109</b>
<b>D.2. Suggested I-V Measurement</b>	<b>109</b>
<b>Appendix E: Model Parameter Binning</b>	<b>111</b>
<b>E.1. DC Parameters</b>	<b>112</b>

**E.2. AC and Capacitance Parameters**

*115*

**References:**

*116*

## Chapter 1: Introduction

---

BSIMSOI is an international standard model for SOI (Silicon-On-Insulator) circuit design [20, 21]. This model is formulated on top of the BSIM3 framework [1]. It shares the same basic equations with the bulk model so that the physical nature and smoothness of BSIM3v3 are retained. Most parameters related to general MOSFET operation (non-SOI specific) are directly imported from BSIM3v3 to ensure parameter compatibility.

BSIMPD [18] is the Partial-Depletion (PD) mode of BSIMSOI. Many enhanced features are included in BSIMPD through the joint effort of the BSIM Team at UC Berkeley and IBM Semiconductor Research and Development Center (SRDC) at East Fishkill. In particular, the model has been tested extensively within IBM on its state-of-the-art high speed SOI technology.

BSIMPD, a derivative of BSIM3SOIv1.3 [2], has the following features and enhancements:

- Real floating body simulation in both I-V and C-V. The body potential is determined by the balance of all the body current components.
- An improved parasitic bipolar current model. This includes enhancements in the various diode leakage components, second order effects (high-level injection and Early effect), diffusion charge equation, and temperature dependence of the diode junction capacitance.
- An improved impact-ionization current model. The contribution from BJT current is also modeled by the parameter  $F_{bjtii}$ .
- A gate-to-body tunneling current model, which is important to thin-oxide SOI technologies.
- Enhancements in the threshold voltage and bulk charge formulation of the high positive body bias regime.



## Chapter 1: Introduction

---

- Instance parameters ( $Pdbcp$ ,  $Psbcp$ ,  $Agbcp$ ,  $Aebcp$ ,  $Nbc$ ) are provided to model the parasitics of devices with various body-contact and isolation structures [17].
- An external body node (the 6th node) and other improvements are introduced to facilitate the modeling of distributed body-resistance [17].
- Self heating. An external temperature node (the 7th node) is supported to facilitate the simulation of thermal coupling among neighboring devices.
- A unique SOI low frequency noise model, including a new excess noise resulting from the floating body effect [3].
- Width dependence of the body effect is modeled by parameters ( $K1$ ,  $K1w1$ ,  $K1w2$ ).
- Improved history dependence of the body charges with two new parameters, ( $Fbody$ ,  $DLCB$ ).
- An instance parameter  $Vbsusr$  is provided for users to set the transient initial condition of the body potential.
- The new charge-thickness capacitance model introduced in BSIM3v3.2 [4],  $capMod=3$ , is included.

In BSIMSOI4.0, based on BSIMSOI3.2 [26] and BSIM4.5.0 bulk model [27], we included the following features:

1. A scalable stress effect model for process induced stress effect, device performance becoming thus a function of the active area geometry and the location of the device in the active area;
2. Asymmetric current/capacitance model S/D diode and asymmetric S/D resistance;
3. Improved GIDL model with BSIM4 GIDL compatibility;
4. Noise model Improvements:
  - 1) Improved width/length dependence of flicker noise
  - 2) SPICE2 thermal noise model is introduced as  $TNOIMOD=2$  with parameter  $NTNOI$  that adjusts the magnitude of the noise density
  - 3) Body contact resistance induced thermal noise
  - 4) Thermal noise induced by the body resistance network
  - 5) Shot noises induced by  $Ibs$  and  $Ibd$  separated
5. A two resistance body resistance network introduced for RF simulation;

6. Threshold voltage model enhancement:
  - 1) Long channel DIBL effect model added
  - 2) Channel-length dependence of body effect improved
7. Drain induced threshold shift(DITS) model introduced in output conductance;
8. Improved model accuracy in moderate inversion region with BSIM4 compatible  $V_{gsteff}$ ;
9. Multi-finger device with instance parameter NF;
10. A new instance parameter AGBCPD to improve gate current for body contact;
11. A new instance parameter DELVTO representing threshold voltage variation;
12. FRBODY is both instance/model parameter.

In BSIMSOI4.1, the following features are added:

1. A new material model (mtrlMod);
2. Asymmetric GIDL/GISL model and new GIDL/GISL model (gidlMod);
3. A new impact-ionization current model;
4. An improved Coulombic scattering model for high k/metal gate;
5. An improved body-contact model to characterize the opposite-type gate;
6. A new  $\Delta V_{bi}$  model to simplify the parameter extraction;
7. A new  $V_{gsteffCV}$  model for C-V, which is similar to  $V_{gsteff}$  in I-V;
8. A new gate current component in body contact region;
9. An improved DITS model with more flexibility and better fit.

BSIMSOI v4.2 and v4.3 benefit from an extensive review of the code by the CMC members. A significant number of code implementation issues and errors are resolved and fixed in these versions through close interaction with many user companies (ADI, Agilent, Ansoft, Cadence, IBM, Mentor Graphics, Synopsys) through a highly active forum. The charge and temperature derivatives, voltage swapping of junction charges, tunneling in the parasitic gate regions, a reported bug in spice3f5 noise computation are reviewed and improved/fixed including other modifications. We believe users will greatly benefit from the improvements introduced in versions 4.2 and 4.3. In BSIMSOIv4.2 and v4.3, no new features are added, compared to BSIMSOIv4.1.

## Chapter 2: MOS I-V Model

A typical PD SOI MOSFET structure is shown in Fig. 2.1. The device is formed on a thin SOI film of thickness  $T_{si}$  on top of a layer of buried oxide with thickness  $T_{box}$ . In the floating body configuration, there are four external biases which are gate voltage ( $V_g$ ), drain voltage ( $V_d$ ), source voltage ( $V_s$ ) and substrate bias ( $V_e$ ). The body potential ( $V_b$ ) is iterated in circuit simulation. If a body contact is applied, there will be one more external bias, the body contact voltage ( $V_p$ ).

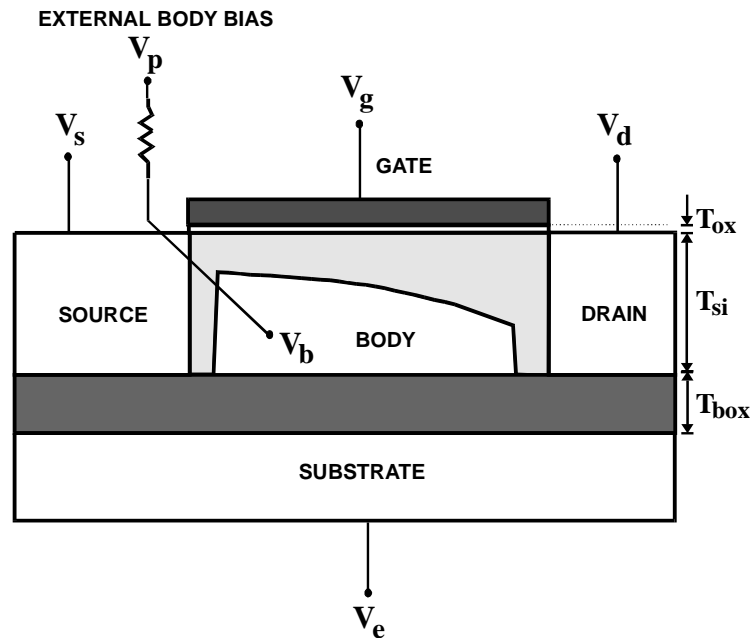


Fig. 2.1 Schematic of a typical PD SOI MOSFET.

Since the backgate ( $V_e$ ) effect is decoupled by the neutral body, PD SOI MOSFETs have similar characteristics as bulk devices. Hence most PD SOI models reported [5, 6] were

developed by adding some SOI specific effects onto a bulk model. These effects include parasitic bipolar current, self-heating and body contact resistance.

BSIMPD is formulated on top of the BSIM3v3 framework. In this way, a lot of physical effects which are common in bulk and SOI devices can be shared. These effects are reverse short channel effect, poly depletion, velocity saturation, DIBL in subthreshold and output resistance, short channel effect, mobility degradation, narrow width effect and source/drain series resistance [1, 4].

## 2.1. Floating Body Operation and Effective Body Potential

In BSIMPD, the floating body voltage is iterated by the SPICE engine. The result of iteration is determined by the body currents [7, 18]. In the case of DC, body currents include diode current, impact ionization, gate-induced drain leakage (GIDL), oxide tunneling and body contact current. For AC or transient simulations, the displacement currents originated from the capacitive coupling are also contributive.

To ensure a good model behavior during simulations, the iterated body potential  $V_{bs}$  is bounded by the following smoothing function

$$T_1 = V_{bsc} + 0.5 \left[ V_{bs} - V_{bsc} - \delta + \sqrt{(V_{bs} - V_{bsc} - \delta)^2 - 4\delta V_{bsc}} \right], \quad V_{bsc} = -5V \quad (2.1)$$

$$V_{bsh} = \phi_{s1} - 0.5 \left[ \phi_{s1} - T_1 - \delta + \sqrt{(\phi_{s1} - T_1 - \delta)^2 + 4\delta T_1} \right], \quad \phi_{s1} = 1.5V \quad (2.2)$$

Here the body potential  $V_{bsh}$  is equal to the  $V_{bs}$  bounded between  $(V_{bsc}, \phi_{s1})$ , and is used in the threshold voltage and bulk charge calculation. To validate the popular square root expression  $\sqrt{\phi_s - V_{bsh}}$  in the MOSFET model,  $V_{bsh}$  is further limited to  $0.95\phi_s$  to give the following effective body potential

$$V_{bseff} = \phi_{s0} - 0.5 \left[ \phi_{s0} - V_{bsh} - \delta + \sqrt{(\phi_{s0} - V_{bsh} - \delta)^2 + 4\delta V_{bsh}} \right], \quad \phi_{s0} = 0.95\phi_s \quad (2.3)$$

## 2.2. Threshold Voltage in the High V<sub>bs</sub> Regime

### 2.2.1. Linear Extrapolation for the Square-Root Expression

Using the  $V_{bseff}$  which is clamped to the surface potential  $\phi_s$ , the square-root dependence  $\sqrt{\phi_s - V_{bseff}}$  of the threshold voltage is ensured to behave properly during simulations [20]. However the real body potential may be larger than the surface potential in state-of-the-art PD SOI technologies. To accurately count the body effect in such a high body bias regime, we extend the square-root expression by

$$sqrtphisExt = \sqrt{\phi_s - V_{bseff}} + s(V_{bsh} - V_{bseff}), \quad s = -\frac{1}{2\sqrt{\phi_s - \phi_{s0}}} \quad (2.4)$$

where a linear extrapolation is employed for  $V_{bsh} \geq 0.95\phi_s$ . Notice that  $sqrtphisExt = \sqrt{\phi_s - V_{bseff}}$  for  $V_{bsh} \leq 0.95\phi_s$ .

### 2.2.2. Width Dependence of the Body Effect

In BSIMPD, the body effect coefficient  $K_l$  is replaced by

$$K_{leff} = K_l \left( 1 + \frac{K_{lw1}}{W'_{eff} + K_{lw2}} \right) \quad (2.5)$$

to model the width dependence of the body effect. Notice that  $K_{leff}$  approaches  $K_l$  asymptotically as the effective channel width  $W'_{eff}$  increases. While the body effect coefficient will be determined by the parameters  $(K_{lw1}, K_{lw2})$  when  $W'_{eff}$  becomes small so that the contribution from the channel-stop doping should be taken into account.

The complete equation of the threshold voltage  $V_{th}$  can be found in the Appendix C.

## 2.3. Bulk Charge Effect in the High V<sub>bs</sub> Regime

The bulk charge factor in BSIMSOI4.0 is given as

$$A_{bulk} = 1 + \left( \frac{K_{lox} \cdot \sqrt{1 + LPEB / L_{eff}}}{2 \sqrt{(\phi_s + Ketas) - \frac{V_{bsh}}{1 + Keta \cdot V_{bsh}}}} \left( \frac{A_0 L_{eff}}{L_{eff} + 2 \sqrt{T_{si} X_{dep}}} \left( 1 - A_{gs} V_{gsteff} \left( \frac{L_{eff}}{L_{eff} + 2 \sqrt{T_{si} X_{dep}}} \right)^2 \right) + \frac{B_0}{W_{eff} + B_1} \right) \right) \quad (2.6)$$

to accommodate the model behavior in the high body bias regime, which is important in PD SOI. The parameter  $Ketas$  acts like an effective increment of the surface potential, which can be used to adjust the  $A_{bulk}$  rollup with the body potential  $V_{bsh}$ . While the other parameter  $Keta$  is used to tune the rate of rollup with  $V_{bsh}$ . By using this new expression, the non-physical drain current roll-off due to the dramatic  $A_{bulk}$  rollup at high body bias can be avoided [20].

## 2.4. Asymmetric and Bias-Dependent Source/Drain Resistance Model

BSIMSOI4.0 models source/drain resistances in two components: bias-independent diffusion resistance (sheet resistance) and bias-dependent LDD resistance. Accurate modeling of the bias-dependent LDD resistances is important for deep submicron CMOS technologies. In BSIMSOI3.2 and BSIMPD models, the LDD source/drain resistance  $R_{ds}(V)$  is modeled internally through the I-V equation and symmetry is assumed for the source and drain sides. BSIMSOI4.0 keeps this option for the sake of simulation efficiency. In addition, BSIMSOI4.0 allows the source LDD resistance  $R_s(V)$  and the drain LDD resistance  $R_d(V)$  to be external and asymmetric (i.e.  $R_s(V)$  and  $R_d(V)$  can be connected between the external and internal source and drain nodes, respectively; furthermore,  $R_s(V)$  does not have to be equal to  $R_d(V)$ ). This feature makes accurate RF CMOS simulation possible. The internal  $R_{ds}(V)$  option can be invoked by setting the model selector ***rdsMod*** = 0 (**internal**) and the external one for  $R_s(V)$  and  $R_d(V)$  by setting ***rdsMod*** = 1 (**external**).

- ***rdsMod*** = 0 (Internal  $R_{ds}(V)$ )

$$R_{ds} = R_{dsw} \frac{1 + P_{rwb} V_{gsteff} + P_{rwb} \left( \sqrt{\phi_s - V_{bseff}} - \sqrt{\phi_s} \right)}{\left( 10^6 W'_{eff} \right)^{Wr}}$$

- ***rdsMod*** = 1 (External  $R_d(V)$  and  $R_s(V)$ )

$$R_d(V) = \frac{RDWMIN + RDW \cdot \left[ -PRWB \cdot V_{bd} + \frac{1}{1 + PRWG \cdot (V_{gd} - V_{fbsd})} \right]}{(1e6 \cdot W_{eff})^{WR} \cdot NF}$$

$$R_s(V) = \frac{RSWMIN + RSW \cdot \left[ -PRWB \cdot V_{bs} + \frac{1}{1 + PRWG \cdot (V_{gs} - V_{fbsd})} \right]}{(1e6 \cdot W_{eff})^{WR} \cdot NF}$$

where  $V_{fbsd} = \frac{k_B T}{q} \ln \left( \frac{N_{gate}}{10^{20}} \right)$  for NGATE larger than 0, otherwise  $V_{fbsd} = 0$ .

## 2.5. Single Drain Current Equation

After improving the  $V_{th}$  and  $A_{bulk}$  behavior in the high body bias regime, we can describe the MOSFET drain current by the same equation as BSIM3v3. The effective drain voltage  $V_{dseff}$  and effective gate overdrive voltage  $V_{gsteff}$  (i.e., effective  $V_{gse} - V_{th}$  in Appendix C-5) introduced in BSIM3v3 [1] are employed to link subthreshold, linear and saturation operation regions into a single expression as

$$I_{ds,MOSFET} = \frac{I_{ds0}}{1 + \frac{R_{ds} I_{dso}}{V_{dseff}}} \left( 1 + \frac{V_{ds} - V_{dseff}}{V_A} \right)$$

$$\beta = \mu_{eff} C_{ox} \frac{W_{eff}}{L_{eff}}$$

$$I_{dso} = \frac{\beta V_{gsteff} \left( 1 - A_{bulk} \frac{V_{dseff}}{2(V_{gsteff} + 2v_t)} \right) V_{dseff}}{1 + \frac{V_{dseff}}{E_{sat} L_{eff}}} \quad (2.7)$$

where  $V_{dseff}$  is the effective source-drain bias (Appendix C-8),  $R_{ds}$  is the source/drain series resistance,  $\mu_{eff}$  is the mobility( Users are suggested to check the details in Chap. 10 and Appendix C),  $E_{sat}$  is the critical electrical field at which the carrier velocity becomes saturated and  $V_A$  accounts for channel length modulation (CLM) and DIBL as in BSIM3v3. The substrate current

body effect (SCBE) [8, 9] on  $V_A$  is not included because it has been taken into account explicitly by the real floating body simulation determined by the body currents, which will be detailed in the next chapter.



## Chapter 3: Body Currents Model

Body currents determine the body potential and therefore the drain current through the body effect. Beside the impact ionization current considered in BSIM3v3, diode (bipolar) current, GIDL, oxide tunneling and body contact current are all included in the BSIMPD model [Fig. 3.1] to give an accurate body-potential prediction in the floating body simulation [18].

### 3.1. Diode and Parasitic BJT Currents

In this section we describe various current components originated from **Body-to-Source/Drain** (B-S/D) injection, recombination in the B-S/D junction depletion region, **Source/Drain-to-Body** (S/D-B) injection, recombination current in the neutral body, and diode tunneling current.

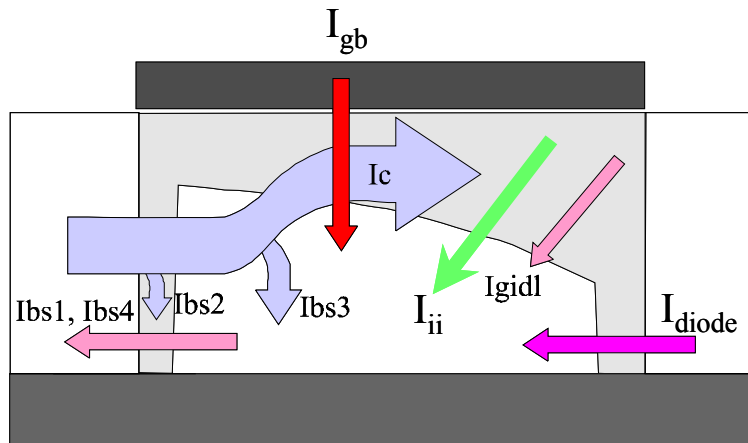


Fig. 3.1 Various current components inside the body.

The backward injection current in the B-S/D diode can be expressed as

### Chapter 3: Body Currents Model

$$\begin{aligned}
 I_{bs1} &= W_{dios} T_{si} j_{difs} \left( \exp\left(\frac{V_{bs}}{n_{diodes} V_t}\right) - 1 \right) \\
 I_{bd1} &= W_{diod} T_{si} j_{difd} \left( \exp\left(\frac{V_{bd}}{n_{diodes} V_t}\right) - 1 \right)
 \end{aligned} \tag{3.1}$$

Here  $n_{diodes}$ ,  $j_{difs}$ ,  $W_{dios}$ ,  $n_{diodes}$ ,  $j_{difd}$ ,  $W_{diod}$  are the non-ideality factor, the saturation current, the effective B-S diode width and the B-D diode width, respectively.

The carrier recombination and trap-assisted tunneling current in the space-charge region is modeled by

$$\begin{aligned}
 I_{bs2} &= W_{dios} T_{si} j_{recs} \left( \exp\left(\frac{V_{bs}}{0.026 n_{recfs}}\right) - \exp\left(\frac{V_{sb}}{0.026 n_{recrs}} \frac{V_{rec0s}}{V_{rec0s} + V_{sb}}\right) \right) \\
 I_{bd2} &= W_{diod} T_{si} j_{recd} \left( \exp\left(\frac{V_{bd}}{0.026 n_{recfd}}\right) - \exp\left(\frac{V_{db}}{0.026 n_{recrd}} \frac{V_{rec0d}}{V_{rec0d} + V_{db}}\right) \right)
 \end{aligned} \tag{3.2}$$

Here  $n_{recfs}$ ,  $n_{recrs}$ ,  $j_{recs}$ ,  $n_{recfd}$ ,  $n_{recrd}$ ,  $j_{recd}$  are non-ideality factors for forward bias and reverse bias, the saturation current, respectively. Note that the parameters  $V_{rec0s}$ ,  $V_{rec0d}$  are provided to model the current roll-off in the high reverse bias regime.

The reverse bias tunneling current, which may be significant in junctions with high doping concentration, can be expressed as

$$\begin{aligned}
 I_{bs4} &= W_{dios} T_{si} j_{tuns} \left( 1 - \exp\left(\frac{V_{sb}}{0.026 n_{tuns}} \frac{V_{tun0s}}{V_{tun0s} + V_{sb}}\right) \right) \\
 I_{bd4} &= W_{diod} T_{si} j_{tund} \left( 1 - \exp\left(\frac{V_{db}}{0.026 n_{tund}} \frac{V_{tun0d}}{V_{tun0d} + V_{db}}\right) \right)
 \end{aligned} \tag{3.3}$$

where  $j_{tuns}$ ,  $j_{tund}$  are the saturation currents. The parameters  $n_{tuns}$ ,  $n_{tund}$  and  $V_{tun0s}$ ,  $V_{tun0d}$  are provided to better fit the data.

The recombination current in the neutral body can be described by

$$\begin{aligned}
 I_{bs3} &= (1 - \alpha_{bjt}) I_{ens} \left[ \exp\left(\frac{V_{bs}}{n_{diodes} V_t}\right) - 1 \right] \frac{1}{\sqrt{E_{hlis} + 1}} \\
 I_{bd3} &= (1 - \alpha_{bjt}) I_{end} \left[ \exp\left(\frac{V_{bd}}{n_{diodes} V_t}\right) - 1 \right] \frac{1}{\sqrt{E_{hlid} + 1}} \\
 I_{ens} &= W'_{eff} T_{si} j_{bjts} \left[ L_{bjt0} \left( \frac{1}{L_{eff}} + \frac{1}{L_n} \right) \right]^{N_{bjt}} \\
 I_{end} &= W'_{eff} T_{si} j_{bjtd} \left[ L_{bjt0} \left( \frac{1}{L_{eff}} + \frac{1}{L_n} \right) \right]^{N_{bjt}} \\
 E_{hlis} &= A_{hlis\_eff} \left[ \exp\left(\frac{V_{bs}}{n_{diodes} V_t}\right) - 1 \right] \\
 E_{hlid} &= A_{hlid\_eff} \left[ \exp\left(\frac{V_{bd}}{n_{diodes} V_t}\right) - 1 \right] \\
 \alpha_{bjt} &= \exp\left[ -0.5 \left( \frac{L_{eff}}{L_n} \right)^2 \right]
 \end{aligned} \tag{3.4}$$

Here  $\alpha_{bjt}$  is the bipolar transport factor, whose value depends on the ratio of the effective channel length  $L_{eff}$  and the minority carrier diffusion length  $L_n$ .  $j_{bjts}$  and  $j_{bjtd}$  are the saturation currents, while the parameters  $L_{bjt0}$  and  $N_{bjt}$  are provided to better fit the forward injection characteristics. Notice that  $E_{hlis}$  and  $E_{hlid}$ , determined by the parameter  $A_{hlis}$  and  $A_{hlid}$ , stand for the high level injection effect in the B-S/D diode, respectively.

The parasitic bipolar transistor current is important in transient body discharge, especially in pass-gate floating body SOI designs [7]. The BJT collector current is modeled as

$$\begin{aligned}
 I_c &= \alpha_{bjt} I_{en} \left\{ \exp \left[ \frac{V_{bs}}{n_{diodes} V_t} \right] - \exp \left[ \frac{V_{bd}}{n_{diodes} V_t} \right] \right\} \frac{1}{E_{2nd}} \\
 E_{2nd} &= \frac{E_{ely} + \sqrt{E_{ely}^2 + 4E_{hli}}}{2} \\
 E_{ely} &= 1 + \frac{V_{bs} - V_{bd}}{V_{Abjt} + A_{ely} L_{eff}} \\
 E_{hli} &= E_{hliS} + E_{hliD}
 \end{aligned} \tag{3.5}$$

where  $E_{2nd}$  is composed of the Early effect  $E_{ely}$  and the high level injection roll-off  $E_{hli}$ . Note that  $E_{2nd} \rightarrow E_{ely}$  as  $E_{ely} \gg E_{hli}$ . While  $E_{2nd} \rightarrow \sqrt{E_{hli}}$  as  $E_{hli} \gg E_{ely}$ , in which case the Early voltage  $V_{Abjt} + A_{ely} L_{eff}$  is high.

To sum up, the total B-S current is  $I_{bs} = \sum_{i=1}^4 I_{bsi}$ , and the total B-D current is  $I_{bd} = \sum_{i=1}^4 I_{bdi}$ .

The total drain current including the BJT component can then be expressed as

$$I_{ds,total} = I_{ds,MOSFET} + I_c \tag{3.6}$$

### 3.2. New Impact Ionization Current Equation

#### *IiiMod* = 0

An accurate impact ionization current equation is crucial to the PD SOI model since it may affect the transistor output characteristics through the body effect [11]. Hence in BSIMPD we use a more recent expression [22] to formulate the impact ionization current  $I_{ii}$  as

$$I_{ii} = \alpha_0 (I_{ds,MOSFET} + I_{ii\_BJT}) \exp \left( \frac{V_{diff}}{\beta_2 + \beta_1 V_{diff} + \beta_0 V_{diff}^2} \right)$$

Here, when *IiiMod* = 0,  $I_{ii\_BJT}$  is defined as:

$$I_{ii\_BJT} = F_{bjtii} I_c$$

$$V_{diff} = V_{ds} - V_{dsatii}$$

$$\begin{aligned}
 V_{dsatii} &= V_{gsStep} + \left[ V_{dsatii0} \left( 1 + T_{ii} \left( \frac{T}{T_{nom}} - 1 \right) \right) - \frac{L_{ii}}{L_{eff}} \right] \\
 V_{gsStep} &= \left( \frac{E_{satii} L_{eff}}{1 + E_{satii} L_{eff}} \right) \left( \frac{1}{1 + S_{ii1} V_{gsteff}} + S_{ii2} \right) \left( \frac{S_{ii0} V_{gst}}{1 + S_{iid} V_{ds}} \right)
 \end{aligned} \tag{3.7}$$

Here the  $F_{bjii} I_c$  term represents the contribution from the parasitic bipolar current. Notice that the classical impact ionization current model [12] adopted in BSIM3v3 is actually a special case of Eqn. (3.6) when  $(\beta_0, \beta_1, \beta_2) = (-1, 0, 0)$ . However, the dependence of  $\log(I_{ii}/I_{ds})$  on the drain overdrive voltage  $V_{diff}$  is quite linear [22] for state-of-the-art SOI technologies due to thermally assisted impact ionization [23]. In this case,  $(\beta_0, \beta_1, \beta_2) \cong (0, 0, 1)$ .

The extracted saturation drain voltage  $V_{dsatii}$  depends on the gate overdrive voltage  $V_{gst}$  and  $L_{eff}$ . One can first extract the parameters  $(V_{dsatii0}, L_{ii})$  by the  $V_{dsatii} - L_{eff}$  characteristics at  $V_{gst} = 0$ . All the other parameters  $(E_{satii}, S_{ii1}, S_{ii2}, S_{ii0}, S_{iid})$  can then be determined by the plot of  $V_{dsatii}$  versus  $V_{gs}$  for different  $L_{eff}$ . Notice that a linear temperature dependence of  $V_{dsatii0}$  with the parameter  $T_{ii}$  is also included.

### ***IiiMod = 1***

When ***IiiMod = 0***, the two component currents  $I_{ds,MOSFET}$  and  $I_c$  have a same bias dependence for impact ionization rate. This approximation generally won't cause accuracy problem because the MOSFET drain current is the major contribution on impact ionization current in the interested operation regions. While SOI MOSFET device operates in subthreshold to accumulation regions, parasitic BJT effect starts to dominant nodal drain current at high drain bias. In order to model  $I_{ii}$  better, ***IiiMod = 1*** is introduce to treat  $I_{ds,MOSFET}$  and  $I_c$  separately. It means that these two components have the different impact ionization rate [30].

Here  $I_{ds,MOSFET}$  still uses the old impact ionization model. The BJT contribution is expressed in Equ (3.8). The temperature dependence is also improved.

$$I_{ii\_BIT} = \frac{CBJTII + EBJTII \square L_{eff}}{L_{eff}} I_C (V_{bci} - V_{bd}) \exp(-ABJTII \square (V_{bci} - V_{bd})^{(MBJTII-1)}) \quad (3.8)$$

$$V_{bci} = VBCI \left( 1 + TVBCI \left( \frac{T}{TNOM} - 1 \right) \right)$$

where  $ABJTII$ ,  $CBJTII$ ,  $EBJTII$ ,  $MBJTII$ ,  $VBCI$  and  $TVBCI$  are model parameters and explained in Appendix B.

### 3.3. Gate Induced Source/Drain Leakage Current

*gidlMod = 0*

GISL/GIDL can be important in SOI device because it can affect the body potential in the low  $V_{gs}$  and high  $V_{ds}$  regime.

The formula for GIDL current is:

$$I_{GIDL} = AGIDL \cdot W_{diod} \cdot Nf \cdot \frac{V_{ds} - V_{gse} - EGIDL + V_{fbsd}}{epsratio \cdot T_{oxe}} \cdot \exp\left(-\frac{epsratio \cdot T_{oxe} \cdot BGIDL}{V_{ds} - V_{gse} - EGIDL + V_{fbsd}}\right) \cdot \frac{V_{db}^3}{CGIDL + V_{db}^3} \quad (3.9)$$

where  $AGIDL$ ,  $BGIDL$ ,  $CGIDL$ , and  $EGIDL$  are model parameters and explained in Appendix A.  $CGIDL$  accounts for the body-bias dependence of  $IGIDL$  and  $IGISL$ . Here  $V_{gse}$  accounts for poly depletion effect.

Following BSIM4, BSIMSOI4.1 also introduces GISL current. In order to model asymmetric source/drain, GISL model has another set of parameters:  $AGISL$ ,  $BGISL$ ,  $CGISL$ , and  $EGISL$ .

$$I_{GISL} = AGISL \cdot W_{dios} \cdot Nf \cdot \frac{-V_{ds} - V_{gde} - EGISL + V_{fbsd}}{epsratio \cdot T_{oxe}} \cdot \exp\left(-\frac{epsratio \cdot T_{oxe} \cdot BGISL}{-V_{ds} - V_{gde} - EGISL + V_{fbsd}}\right) \cdot \frac{V_{sb}^3}{CGISL + V_{sb}^3} \quad (3.10)$$

*gidlMod = 1*

In this new model, the basic idea is to decouple  $V_{ds}$  and  $V_{gs}$  dependence by introducing an extra parameter  $rgidl$ . The body bias dependence part is also revised. Here,  $KGIDL$  and  $FGILD$  are  $V_{bs}$  dependent parameters.

$$\begin{aligned}
 I_{GIDL} &= AGIDL \cdot W_{diod} \cdot Nf \cdot \frac{V_{ds} - RGIDL \cdot V_{gse} - EGIDL + V_{fbsd}}{epsratio \cdot T_{oxe}} & (3.11) \\
 &\times \exp\left(-\frac{epsratio \cdot T_{oxe} \cdot BGIDL}{V_{ds} - RGIDL \cdot V_{gse} - EGIDL + V_{fbsd}}\right) \cdot \exp\left(\frac{KGIDL}{V_{bd} - FGIDL}\right) \\
 I_{GISL} &= AGISL \cdot W_{dios} \cdot Nf \cdot \frac{-V_{ds} - RGISL \cdot V_{gde} - EGISL + V_{fbsd}}{epsratio \cdot T_{oxe}} \\
 &\times \exp\left(-\frac{epsratio \cdot T_{oxe} \cdot BGISL}{-V_{ds} - RGISL \cdot V_{gde} - EGISL + V_{fbsd}}\right) \cdot \exp\left(\frac{KGISL}{V_{bs} - FGISL}\right)
 \end{aligned}$$

Here  $V_{fbsd} = 0$  when  $mtrlMod = 0$ . In  $mtrlMod = 1$ ,  $epsratio = model \rightarrow B4SOIepsrsub/3.9$ ; which becomes  $11.7/model \rightarrow B4SOIepsrox$  (3.9 by default) in  $mtrlMod = 0$ .

### 3.4. Oxide Tunneling Current

For thin oxide (below  $20\text{\AA}$ ), oxide tunneling is important in the determination of floating-body potential [20]. In BSIMPD the following equations are used to calculate the tunneling current density  $J_{gb}$ :

In inversion,

$$\begin{aligned}
 J_{gb} &= A \frac{V_{gb} V_{aux}}{T_{ox}^2} \left( \frac{T_{oxref}}{T_{oxqm}} \right)^{N_{tox}} \exp\left(\frac{-B(\alpha_{gb1} - \beta_{gb1} |V_{ox}|) T_{ox}}{1 - |V_{ox}|/V_{gb1}}\right) \\
 V_{aux} &= V_{EVB} \ln\left(1 + \exp\left(\frac{|V_{ox}| - \phi_g}{V_{EVB}}\right)\right) \\
 A &= \frac{q^3}{8\pi\hbar\phi_b} & (3.12) \\
 B &= \frac{8\pi\sqrt{2m_{ox}}\phi_b^{3/2}}{3hq} \\
 \phi_b &= 4.2eV \\
 m_{ox} &= 0.3m_0
 \end{aligned}$$

In accumulation,

$$\begin{aligned}
 J_{gb} &= A \frac{V_{gb} V_{aux}}{T_{ox}^2} \left( \frac{T_{oxref}}{T_{oxqm}} \right)^{N_{tox}} \exp \left( \frac{-B(\alpha_{gb2} - \beta_{gb2} |V_{ox}|) I_{ox}}{1 - |V_{ox}|/V_{gb2}} \right) \\
 V_{aux} &= V_{ECB} V_t \ln \left( 1 + \exp \left( -\frac{V_{gb} - V_{fb}}{V_{ECB}} \right) \right) \\
 A &= \frac{q^3}{8\pi h \phi_b} \\
 B &= \frac{8\pi \sqrt{2m_{ox}} \phi_b^{3/2}}{3hq} \\
 \phi_b &= 3.1eV \\
 m_{ox} &= 0.4m_0
 \end{aligned} \tag{3.13}$$

Please see Appendix B for model parameter descriptions.

In BSIMSOI4.1, the instance parameter  $A_{gbc2}$  represents the parasitic gate-to-body overlap area due to the body contact. This parameter applies for the opposite-type gate, which is shown Fig. 4.4. In order to account the tunneling current in this region,  $I_{g\_agbc2}$  is introduced as following:

$$\begin{aligned}
 I_{g\_agbc2} &= A \times A_{agbc2} \min(V_{gp} - V_{fb2}, 0) \times V_{gp\_eff} T_{oxRatio} \\
 &\quad \exp \left[ -B \times T_{oxqm} \left( AIGBCP2 - BIGBCP2 \times V_{gp\_eff} \right) \left( 1 + CIGBCP2 \times V_{gp\_eff} \right) \right] \\
 V_{gp\_eff} &= 0.5 \times \left[ \sqrt{(V_{gp} - V_{fb2})^2 + \delta^2} - (V_{gp} - V_{fb2}) - \delta \right] \\
 \delta &= 0.01
 \end{aligned} \tag{3.14}$$

### 3.5. Body Contact Current

In BSIMPD, a body resistor is connected between the body (B node) and the body contact (P node) if the transistor has a body-tie. The body resistance is modeled by

$$R_{bp} = \left( R_{body} \frac{W'_{eff}}{L_{eff}} \right) // \left( R_{halo} \frac{W'_{eff}}{2} \right), R_{bodyext} = R_{bsh} N_{rb} \tag{3.15}$$

Here  $R_{bp}$  and  $R_{bodyext}$  represent the intrinsic and extrinsic body resistance respectively.  $R_{body}$  is the intrinsic body sheet resistance,  $R_{halo}$  accounts for the effect of halo implant,  $N_{rb}$  is the number of square from the body contact to the device edge and  $R_{bsh}$  is the sheet resistance of the body contact diffusion.



The body contact current  $I_{bp}$  is defined as the current flowing through the body resistor:

$$I_{bp} = \frac{V_{bp}}{R_{bp} + R_{bodyext}} \quad (3.16)$$

where  $V_{bp}$  is the voltage across the B node and P node. Notice that  $I_{bp} = 0$  if the transistor has a floating body.

### 3.6. Body Contact Parasitics

The effective channel width may change due to the body contact. Hence the following equations are used:

$$\begin{aligned} W_{eff} &= W_{drawn} - N_{bc} dW_{bc} - (2 - N_{bc}) dW \\ W_{eff}' &= W_{drawn}' - N_{bc} dW_{bc}' - (2 - N_{bc}') dW' \\ W_{diod} &= W_{eff}' + P_{dbc p} \\ W_{dios} &= W_{eff}' + P_{sbc p} \end{aligned} \quad (3.17)$$

Here  $dW_{bc}$  is the width offset for the body contact isolation edge.  $N_{bc}$  is the number of body contact isolation edge. For example:  $N_{bc} = 0$  for floating body devices,  $N_{bc} = 1$  for T-gate structures and  $N_{bc} = 2$  for H-gate structures.  $P_{dbc p} / P_{sbc p}$  represents the parasitic perimeter length for body contact at drain/source side. The body contact parasitics [17] may affect the I-V significantly for narrow width devices [20].

After introducing all the mechanisms that contribute the body current, we can express the nodal equation (KCL) for the body node as

$$(I_{bs} + I_{bd}) + I_{bp} - I_{ii} - (I_{dgidl} + I_{sgisl}) - I_{gb} = 0 \quad (3.18)$$

Eqn. (3.18) is important since it determines the body potential through the balance of various body current components. The I-V characteristics can then be correctly predicted after this critical body potential can be well anchored.

# Chapter 4: MOS C-V Model

---

BSIMPD approaches capacitance modeling by adding SOI-specific capacitive effect to the C-V model of BSIM3v3. Similar to the I-V case, the body charges belonged to the floating body node will be our emphasis. The model incorporates features listed below with the SOI-specific features bold-faced and italicized.

- Separate effective channel length and width for IV and CV models.
- The CV model is not piece-wise (i.e. divided into inversion, depletion, and accumulation). Instead, a single equation is used for each nodal charge covering all regions of operation. This ensures continuity of all derivatives and enhances convergence properties. Just like in BSIM3v3, the inversion and body capacitances are continuous at the threshold voltage.
- In BSIMSOI4.1, a new model selector `vgstcvMod` is introduced for the  $V_{gsteff}$  calculation. When `vgstcvMod` = 0, it is the old code. Nothing has been changed; even  $Q_{inv}/C_{gs}/C_{gd}$  etc., are untouched for the backward compatibility. Thus users are suggested to choose `vgstcvMod` = 1 or 2. Here, `vgstcvMod` = 1 fixes the bug in `vgstcvMod` = 0 (For more details, please check the BSIMSOI4.1 release note). `vgstcvMod` = 2 adopts a new  $V_{gsteff}$ , which is similar to that in IV model. Body effect and DIBL are automatically incorporated in the capacitance model.
- Intrinsic capacitance model has two options. The `capMod` = 2 option yields capacitance model based on BSIM3v3 short channel capacitance model. The `capMod` = 3 option is the new charge-thickness model from BSIM3v3.2 [4].
- Front gate overlap capacitance is comprised of two parts: 1) a bias independent part which models the effective overlap capacitance between the gate and the heavily doped source/drain, and 2) a gate bias dependent part between the gate and the LDD region.

## Chapter 4: MOS C-V Model

---

- Bias independent fringing capacitances are added between the gate and source as well as the gate and drain. A sidewall source/drain to substrate (under the buried oxide) fringing capacitance is added.
- A source/drain-buried oxide-Si substrate parasitic MOS capacitor is added.
- Body-to-back-gate coupling is added.
- Parasitic gate capacitance model is improved by the new body contact model.

A good intrinsic charge model is important in bulk MOSFETs because intrinsic capacitance comprises a sizable portion of the overall capacitance, and because a well behaved charge model is required for robust large circuit simulation convergence. In analog applications there are devices biased near the threshold voltage. Thus, a good charge model must be well-behaved in transition regions as well. To ensure proper behavior, both the I-V and C-V model equations should be developed from an identical set of charge equations so that  $C_{ij}/I_d$  is well behaved.

A good physical charge model of SOI MOSFETs is even more important than in bulk. This is because transient behavior of the floating body depends on capacitive currents [18]. Also, due to the floating body node, convergence issues in PD SOI are more volatile than in bulk, so that charge smoothness and robustness are important. An example is that a large negative guess of body potential by SPICE during iterations can force the transistor into depletion, and a smooth transition between depletion and inversion is required. Therefore the gate/source/drain/backgate to body capacitive coupling is important in PD SOI.

### 4.1. Charge Conservation

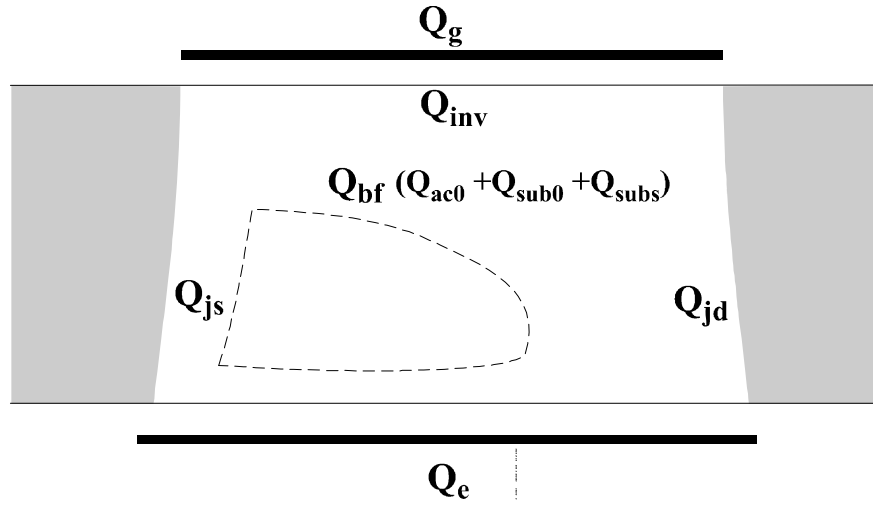


Fig. 4.1 Intrinsic charge components in BSIMPD CV model

To ensure charge conservation, terminal charges instead of terminal voltages are used as state variables. The terminal charges  $Q_g$ ,  $Q_d$ ,  $Q_s$ ,  $Q_b$ , and  $Q_e$  are the charges associated with the **gate**, **drain**, **source**, **body**, and **substrate** respectively. These charges can be expressed in terms of inversion charge ( $Q_{inv}$ ), front gate body charge ( $Q_{Bf}$ ), source junction charge ( $Q_{js}$ ) and drain junction charge ( $Q_{jd}$ ). The intrinsic charges are distributed between the nodes as shown in Fig.

4.1. The charge conservation equations are:

$$Q_{Bf} = Q_{ac0} + Q_{sub0} + Q_{subs}$$

$$Q_{inv} = Q_{inv,s} + Q_{inv,d}$$

$$Q_g = -(Q_{inv} + Q_{Bf})$$

$$Q_b = Q_{Bf} - Q_e + Q_{js} + Q_{jd} \quad (4.1)$$

$$Q_s = Q_{inv,s} - Q_{js}$$

$$Q_d = Q_{inv,d} - Q_{jd}$$

$$Q_g + Q_e + Q_b + Q_s + Q_d = 0$$

The front gate body charge ( $Q_{Bf}$ ) is composed of the accumulation charge ( $Q_{ac0}$ ) and the bulk charge ( $Q_{sub0}$  and  $Q_{subs}$ ), which may be divided further into two components: the bulk charge at  $V_{ds}=0$  ( $Q_{sub0}$ ), and the bulk charge induced by the drain bias ( $Q_{subs}$ ) (similar to  $\delta Q_{sub}$  in BSIM3v3).

All capacitances are derived from the charges to ensure charge conservation. Since there are 5 charge nodes, there are 25 (as compared to 16 in BSIM3v3) components. For each component:

$$C_{ij} = \frac{dQ_i}{dV_j}, \text{ where } i \text{ and } j \text{ denote transistor nodes. In addition, } \sum_i C_{ij} = \sum_j C_{ij} = 0.$$

## 4.2. Intrinsic Charges

BSIMP4 uses similar expressions to BSIM3v3 for  $Q_{inv}$  and  $Q_{Bf}$ . First, the bulk charge constant  $A_{bulkCV}$  is defined as

$$A_{bulkCV} = A_{bulk0} \left( 1 + \left( \frac{CLC}{L_{active}} \right)^{CLE} \right) \quad (4.2)$$

where

$$A_{bulk0} = A_{bulk}(V_{gsteff} = 0) \quad (4.3)$$

This is done in order to empirically fit  $V_{dsatCV}$  to channel length. Experimentally,

$$V_{dsatIV} < V_{dsatCV} < V_{dsatIV} \Big|_{L \rightarrow \infty} = \frac{V_{gsteffCV}}{A_{bulk}} \quad (4.4)$$

### **vgstcvMod = 0 or 1**

The effective CV  $V_{gst}$  is defined as

$$V_{gsteffCV} = nV_t \ln \left( 1 + \exp \left[ \frac{V_{gs} - V_{th}}{nV_t} \right] \exp \left[ -\frac{delvt}{nV_t} \right] \right) \quad (4.5)$$

vgstcvMod = 0 and 1 use the same  $V_{gsteffCV}$  definition. As mentioned above, the only difference between vgstcvMod = 0 and 1 is that Mod =1 fixes the bug in the code. Users are suggested to choose vgstcvMod =1 or 2.

**vgstcvMod = 2**

This new  $V_{gsteffCV}$  follows that in IV model. There are two new model parameters MINVCV and VOFFCV, which are binnable.

$$V_{gsteffCV} = \frac{nv_t \ln \left[ 1 + \exp\left(\frac{m^{*CV} (V_{gs\_eff} - V_{th} - delvt)}{nv_t}\right) \right]}{m^{*CV} + nC_{ox} \sqrt{\frac{2\Phi_s}{q\epsilon_{si}N_{dep}} \exp\left(-\frac{(1-m^{*CV})(V_{gs\_eff} - V_{th} - delvt) - V_{offCV}}{nv_t}\right)}} \quad (4.6)$$

$$m^{*CV} = 0.5 + \frac{\arctan(MINVCV)}{\pi}$$

Then we can calculate the CV saturation drain voltage

$$V_{dsatCV} = V_{gsteffCV} / A_{bulkCV} \quad (4.7)$$

Define effective CV  $V_{ds}$  as

$$V_{dsCV} = V_{dsatCV} - \frac{1}{2}(V_{dsatCV} - V_{ds} - \delta + \sqrt{(V_{dsatCV} - V_{ds} - \delta)^2 + 4\delta V_{dsatCV}}) \quad (4.8)$$

Then the inversion charge can be expressed as

$$Q_{inv} = -W_{active} L_{active} C_{ox} \left( \left( V_{gsteffCV} - \frac{A_{bulkCV}}{2} V_{dsCV} \right) + \frac{A_{bulkCV}^2 V_{dsCV}^2}{12 \left( V_{gsteffCV} - \frac{A_{bulkCV}}{2} V_{dsCV} \right)} \right) \quad (4.9)$$

where  $W_{active}$  and  $L_{active}$  are the effective channel width and length in CV, respectively. The channel partition can be set by the  $Xpart$  parameter. The exact evaluation of source and drain charges for each partition option is presented in Appendix C.

A parameter  $V_{FBeff}$  is used to smooth the transition between accumulation and depletion regions. The expression for  $V_{FBeff}$  is:

$$V_{FBeff} = V_{fb} - 0.5 \left( (V_{fb} - V_{gb} - \delta) + \sqrt{(V_{fb} - V_{gb} - \delta)^2 + \delta^2} \right) \quad (4.10)$$

where  $V_{gb} = V_{gs} - V_{bseff}$ ,  $V_{fb} = V_{th} - \phi_s - K_{1eff} \sqrt{\phi_s - V_{bseff}}$ .

The physical meaning of the function is the following: it is equal to  $V_{gb}$  for  $V_{gb} < V_{FB}$ , and equal to  $V_{FB}$  for  $V_{gb} > V_{FB}$ . Using  $V_{FB\text{eff}}$ , the accumulation charge can be calculated as

$$Q_{ac0} = -F_{body} W_{active} L_{activeB} C_{ox} (V_{FB\text{eff}} - V_{fb}) \quad (4.11)$$

where  $L_{activeB} = L_{active} - DL_{CB}$ . Notice that the parameters  $F_{body}$  and  $DL_{CB}$  are provided to give a better fit for the SOI-specific history dependence of the body charge [14].

The gate-induced depletion charge and drain-induced depletion charge can be expressed as

$$Q_{sub0} = -F_{body} W_{active} L_{activeB} C_{ox} \frac{K_{1\text{eff}}^2}{2} \left( -1 + \sqrt{1 + \frac{4(V_{gs} - V_{FB\text{eff}} - V_{gst\text{eff}CV} - V_{b\text{seff}})}{K_{1\text{eff}}^2}} \right) \quad (4.12)$$

$$Q_{subs} = F_{body} W_{active} L_{activeB} K_{1\text{eff}} C_{ox} (1 - A_{bulkCV}) \left[ \frac{V_{dsCV}}{2} - \frac{A_{bulkCV} V_{dsCV}^2}{12(V_{gst\text{eff}CV} - A_{bulkCV} V_{dsCV}/2)} \right] \quad (4.13)$$

respectively.

Finally, the back gate body charge can be modeled by

$$Q_e = F_{body} W_{active} L_{activeBG} C_{box} (V_{es} - V_{fbb} - V_{b\text{seff}}) \quad (4.14)$$

where  $L_{activeBG} = L_{activeB} + 2\delta L_{bg}$ . The parameter  $\delta L_{bg}$  is provided to count the difference of  $L_{activeB}$  and  $L_{activeBG}$  due to the source/drain extension in the front channel.

For capMod=3, the flat band voltage is calculated from the bias-independent threshold voltage, which is different from capMod=2. For the finite thickness formulation, refer to Section 4.6 and Chapter 7 of BSIM4.6.2 Users' Manual.

### 4.3. Source/Drain Junction Charges

Beside the junction depletion capacitance considered in BSIM3v3, the diffusion capacitance, which is important in the forward body-bias regime [20], is also included in BSIMPD. The source/drain junction charges  $Q_{j\text{swg}} / Q_{j\text{dwg}}$  can therefore be expressed as

$$\begin{aligned} Q_{jswg} &= Q_{bsdep} + Q_{bsdif} \\ Q_{jdwg} &= Q_{bddep} + Q_{bddif} \end{aligned} \quad (4.15)$$

The depletion charges  $Q_{bsdep} / Q_{bddep}$  have similar expressions as in BSIM3v3 [Appendix C].

While the diffusion charges  $Q_{bsdif} / Q_{bddif}$  can be modeled by

$$\begin{aligned} Q_{bsdif} &= \tau \frac{W_{eff}'}{N_{seg}} T_{si} J_{sbjt} \left[ 1 + L_{dif0} \left( L_{bj0} \left( \frac{1}{L_{eff}} + \frac{1}{L_n} \right) \right)^{N_{dif}} \right] \left[ \exp \left( \frac{V_{bs}}{n_{dios} V_t} \right) - 1 \right] \frac{1}{\sqrt{E_{hlis} + 1}} \\ Q_{bddif} &= \tau \frac{W_{eff}'}{N_{seg}} T_{si} J_{dbjt} \left[ 1 + L_{dif0} \left( L_{bj0} \left( \frac{1}{L_{eff}} + \frac{1}{L_n} \right) \right)^{N_{dif}} \right] \left[ \exp \left( \frac{V_{bd}}{n_{diod} V_t} \right) - 1 \right] \frac{1}{\sqrt{E_{hlid} + 1}} \end{aligned} \quad (4.16)$$

The parameter  $\tau$  represents the transit time of the injected minority carriers in the body. The parameters  $L_{dif0}$  and  $N_{dif}$  are provided to better fit the data.

#### 4.4. Extrinsic Capacitances

Expressions for extrinsic (parasitic) capacitances that are common in bulk and SOI MOSFETs are taken directly from BSIM3v3. They are source/drain-to-gate overlap capacitance and source/drain-to-gate fringing capacitance. Additional SOI-specific parasitics added are substrate-to-source sidewall capacitance  $C_{essw}$ , and substrate-to-drain sidewall capacitance  $C_{edsw}$ , substrate-to-source bottom capacitance ( $C_{esb}$ ) and substrate-to-drain bottom capacitance ( $C_{edb}$ ) [Fig. 4.2].

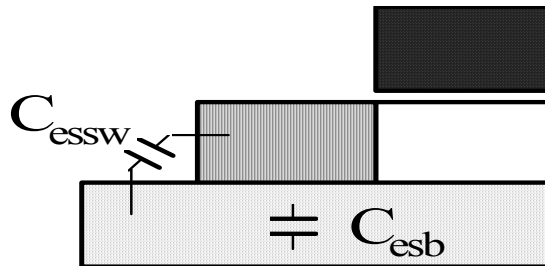




Fig. 4.2 SOI MOSFET extrinsic charge components.  $C_{essw}$  is the substrate-to-source sidewall capacitance.  $C_{esb}$  is the substrate-to-source bottom capacitance.

In SOI, there is a parasitic source/drain-buried oxide-Si substrate parasitic MOS structure with a bias dependent capacitance. If  $V_{s,d}=0$ , this MOS structure might be in accumulation. However, if  $V_{s,d}=V_{dd}$ , the MOS structure is in depletion with a much smaller capacitance, because the Si substrate is lightly doped. The bias dependence of this capacitance is similar to high frequency MOS depletion capacitance as shown in Fig. 4.3. It might be substantial in devices with large source/drain diffusion areas. BSIMPD models it by piece-wise expressions, with accurately chosen parameters to achieve smoothness of capacitance and continuity to the second derivative of charge. The substrate-to-source bottom capacitance (per unit source/drain area)  $C_{esb}$  is:

$$C_{esb} = \begin{cases} C_{box} & \text{if } V_{se} < V_{sdfb} \\ C_{box} - \frac{1}{A_{sd}} (C_{box} - C_{min}) \left( \frac{V_{se} - V_{sdfb}}{V_{sdth} - V_{sdfb}} \right)^2 & \text{elseif } V_{se} < V_{sdfb} + A_{sd} (V_{sdth} - V_{sdfb}) \\ C_{min} + \frac{1}{1 - A_{sd}} (C_{box} - C_{min}) \left( \frac{V_{se} - V_{sdth}}{V_{sdth} - V_{sdfb}} \right)^2 & \text{elseif } V_{se} < V_{sdth} \\ C_{min} & \text{else} \end{cases} \quad (4.17)$$

Physical parameters  $V_{sdfb}$  (flat-band voltage of the MOS structure) and  $V_{sdth}$  (threshold voltage of the MOS structure) can be easily extracted from measurement.  $C_{min}$  should also be extracted from measurement, and it can account for deep depletion as well.  $A_{sd}$  is a smoothing parameter. The expression for  $C_{edb}$  is similar to  $C_{esb}$ . Fig. 4.3 shows the comparison of the model and measured  $C_{esb}$ .

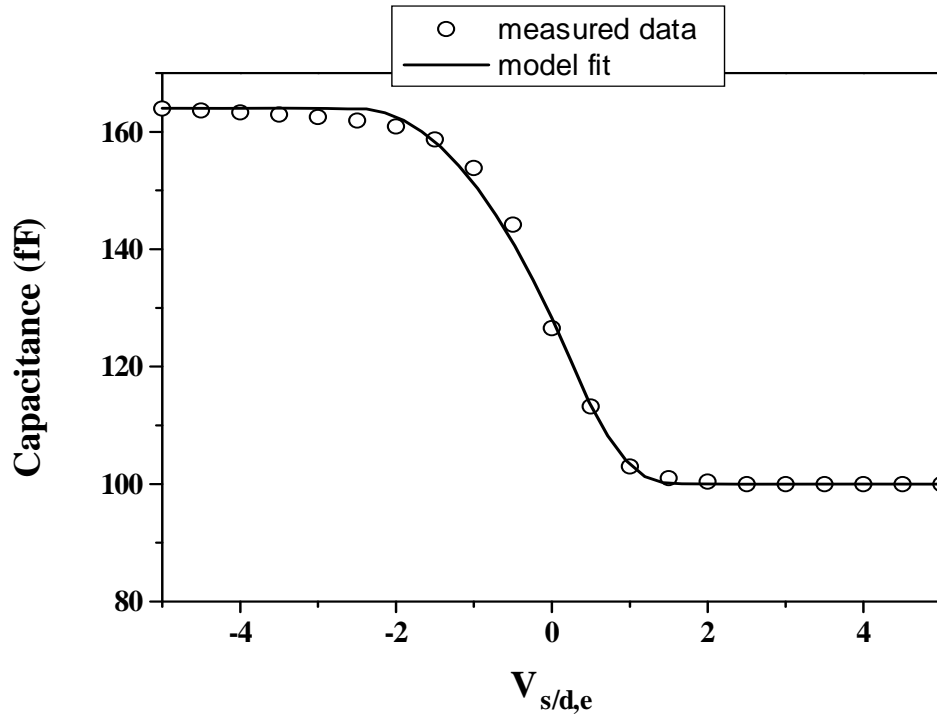


Fig. 4.3 Bottom source/drain to substrate capacitance for a PD SOI MOSFET.

Finally, the sidewall source/drain to substrate capacitance (per unit source/drain perimeter length) can be expressed by

$$C_{s/d,esw} = C_{sdesw} \log\left(1 + \frac{T_{si}}{T_{box}}\right) \quad (4.18)$$

which depends on the silicon film thickness  $T_{si}$  and the buried oxide thickness  $T_{box}$ . The parameter  $C_{sdesw}$  represents the fringing capacitance per unit length.

#### 4.5. Body Contact Parasitics

The parasitic capacitive coupling due to the body contact is considered in BSIMPD. The instance parameter  $A_{gbcp}$  represents the parasitic gate-to-body overlap area due to the body contact, and  $A_{ebcp}$  represents the parasitic substrate-to-body overlap area. The effect may be significant for small area devices [CV part in Appendix C].

**Note:** There are four instance parameters used to calculate parasitic capacitances associated with body contacts. They are:  $psbcp$ ,  $pdbcp$ ,  $agbcp$  and  $aebcp$ . It is worth pointing out that  $psbcp$  and  $pdbcp$  represent additional gate perimeter to the source and drain and must be specified on a per finger basis, while  $agbcp$  and  $aebcp$  represent addition gate area and addition area of body over the box and must be specified on a total transistor basis.

BSIMSOI4.1 also considers the  $P^+$  implantation for body contact (as shown in Figure 4.4), which will induce parasitic  $P^+$ -poly gate/NMOS.

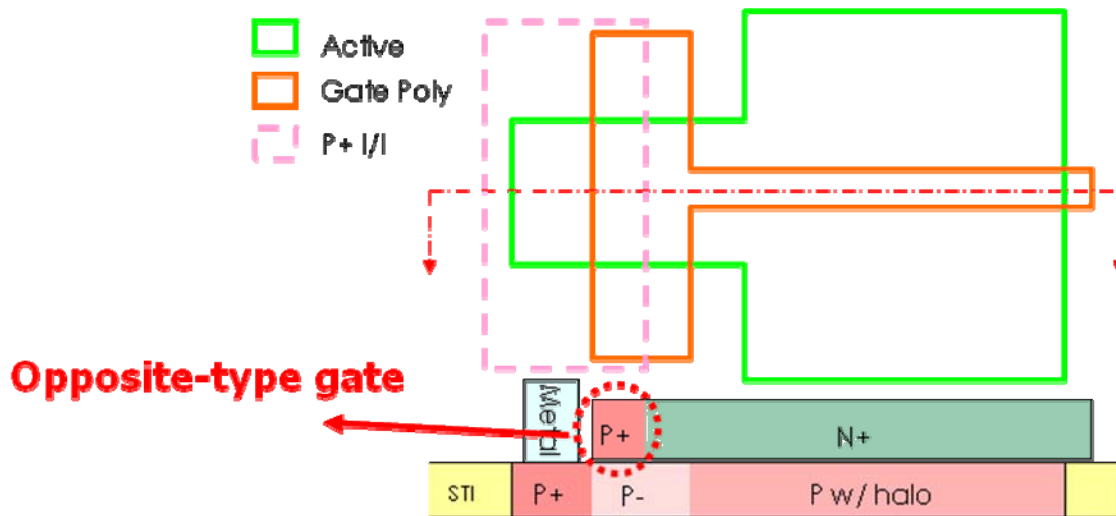


Fig. 4.4 Parasitic capacitance in opposite-type gate.

In BSIMSOI4.0, the instance parameter  $A_{gbcp}$  represents the parasitic gate-to-body overlap area due to the body contact. This parameter only applies for the same-type gate. For the opposite-type gate, the charge will be overestimated by  $A_{gbcp}$ . Charge model has to be modified to include the effect of  $P^+/P$  region in this case.

The higher  $V_{FB}$  in the  $P^+/P$  region lowers the gate charge and the net gate charge is the sum of  $N^+/P$  and  $P^+/P$  regions as shown below. One new instance parameter  $A_{gbcp2}$  is introduced to account for the opposite-type parasitic capacitance. The final charge could be expressed as

following:

$$\text{Total Charge} = WL \times N^+ / NMOS + A_{gbcp} \times N^+ / NMOS + A_{gbcp2} \times P^+ / NMOS \quad (4.19)$$

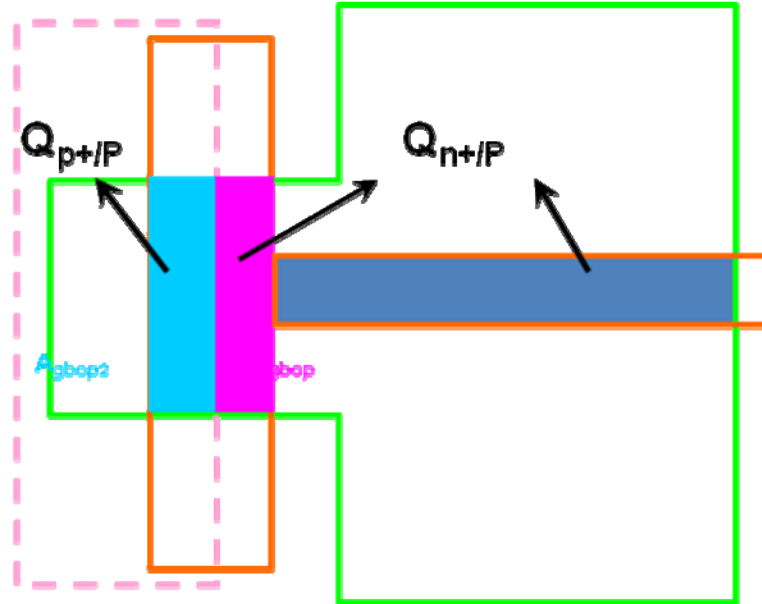


Fig. 4.5 The total charge in the opposite-type gate.

**Note:** In this case, there is a new instant parameters  $agbcp2$ , which is similar to  $agbcp$  and specified on a total transistor basis.

## 4.6 Finite Thickness Formulation

The finite thickness formulation is similar to that in BSIM4.

***mtrlMod=0***

The charge thickness introduces a capacitance in series with  $C_{ox}$ , resulting in an effective  $C_{oxeff}$ . Based on numerical self-consistent solution of Shrödinger, Poisson and Fermi-Dirac equations, universal and analytical  $X_{DC}$  models have been developed.  $C_{oxeff}$  can be expressed as:

$$C_{oxeff} = \frac{C_{oxp} \cdot C_{cen}}{C_{oxp} + C_{cen}} \quad (4.20)$$

where

$$C_{cen} = \varepsilon_{si} / X_{DC} \quad (4.21)$$

**(i)  $X_{DC}$  for accumulation and depletion**

The DC charge thickness in the accumulation and depletion regions can be expressed by

$$X_{DC} = \frac{1}{3} L_{debye} \exp \left[ ACDE \cdot \left( \frac{NDEP}{2 \times 10^{16}} \right)^{-0.25} \cdot \frac{V_{gse} - V_{bseff} - V_{FBeff}}{TOXP} \right] \quad (4.22)$$

where  $L_{debye}$  is Debye length, and  $X_{DC}$  is in the unit of cm and  $(V_{gse} - V_{bseff} - V_{FBeff}) / TOXP$  is in units of MV/cm. For numerical stability, (4.22) is replaced by (4.23)

$$X_{DC} = X_{max} - \frac{1}{2} \left( X_0 + \sqrt{X_0^2 + 4\delta_x X_{max}} \right) \quad (4.23)$$

where

$$X_0 = X_{max} - X_{DC} - \delta_x \quad (4.24)$$

and  $X_{max} = L_{debye} / 3; = 10^{-3} TOXE$ .

**(ii)  $X_{DC}$  of inversion charge**

The inversion charge layer thickness can be formulated as

$$X_{DC} = \frac{ADOS \times 1.9 \times 10^{-9} \text{ m}}{1 + \left( \frac{V_{gsteff} + 4(V_{TH0} - V_{FB} - \Phi_s)}{2TOXP} \right)^{0.7 \times BDOS}} \quad (4.25)$$

Here, the density of states parameters  $ADOS$  and  $BDOS$  are introduced to control the charge centroid. Their default values are one.

Through the  $V_{FB}$  term, equation (4.25) is found to be applicable to  $N^+$  or  $P^+$  poly-Si gates and even other future gate materials.

**(iii) Body charge thickness in inversion**

In inversion region, the body charge thickness effect is modeled by including the deviation of the surface potential  $\Phi_s$  (bias-dependence) from  $2\Phi_B$

$$\varphi_\delta = \Phi_s - 2\Phi_B = V_t \ln \left( 1 + \frac{V_{gsteffCV} \cdot (V_{gsteffCV} + 2K_{1ox} \sqrt{2\Phi_B})}{MOIN \cdot K_{1ox}^2 V_t} \right) \quad (4.26)$$

The channel charge density is therefore derived as

$$q_{inv} = -C_{oxeff} \cdot (V_{gsteff,CV} - \varphi_\delta)_{eff} \quad (4.27)$$

*mtrlMod* = 1

In this case, *TOXP* should be iteratively calculated by *EOT* first:

$$TOXP = EOT - \frac{3.9}{EPSRSUB} \times X_{DC} \Big|_{V_{gs}=VDDEOT, V_{ds}=V_{bs}=0} \quad (4.28)$$

With the calculated *TOXP*,  $X_{DC}$  could be obtained at different gate voltage, just like *mtrlMod*=0.

## Chapter 5: Temperature Dependence and Self-Heating

Self-heating in SOI is more important than in bulk since the thermal conductivity of silicon dioxide is about two orders of magnitude lower than that of silicon [15]. It may degrade the carrier mobility, increase the junction leakage [20], enhance the impact ionization rate [24], and therefore affect the output characteristics [16] of floating-body SOI devices.

### 5.1. Temperature Dependence

The temperature dependence of threshold voltage, mobility, saturation velocity and series resistance in BSIMSOI is identical to BSIM3v3. However a different temperature dependence of diode characteristics is adopted in BSIMSOI4.0:

$$j_{sbjt} = i_{sbjt} \exp \left[ \frac{-E_g(300K)}{n_{diodes} V_t} X_{bjt} \left( 1 - \frac{T}{T_{nom}} \right) \right]$$

$$j_{dbjt} = i_{dbjt} \exp \left[ \frac{-E_g(300K)}{n_{diodes} V_t} X_{bjt} \left( 1 - \frac{T}{T_{nom}} \right) \right]$$

$$j_{sdif} = i_{sdif} \exp \left[ \frac{-E_g(300K)}{n_{diodes} V_t} X_{dif} \left( 1 - \frac{T}{T_{nom}} \right) \right]$$

$$j_{ddif} = i_{ddif} \exp \left[ \frac{-E_g(300K)}{n_{diodes} V_t} X_{dif} \left( 1 - \frac{T}{T_{nom}} \right) \right]$$

$$j_{srec} = i_{srec} \exp \left[ \frac{-E_g(300K)}{n_{recf0s} V_t} X_{rec} \left( 1 - \frac{T}{T_{nom}} \right) \right]$$

$$j_{drec} = i_{drec} \exp \left[ \frac{-E_g(300K)}{n_{recf0d} V_t} X_{rec} \left( 1 - \frac{T}{T_{nom}} \right) \right]$$

$$j_{stun} = i_{stun} \exp \left[ X_{tun} \left( \frac{T}{T_{nom}} - 1 \right) \right]$$

$$j_{dtun} = i_{dtun} \exp \left[ X_{tun} \left( \frac{T}{T_{nom}} - 1 \right) \right] \quad (5.1)$$

$$n_{recrs} = n_{recr0s} \left[ 1 + nt_{recr} \left( \frac{T}{T_{nom}} - 1 \right) \right]$$

$$n_{recrd} = n_{recr0d} \left[ 1 + nt_{recr} \left( \frac{T}{T_{nom}} - 1 \right) \right]$$

$$n_{recfs} = n_{recf0s} \left[ 1 + nt_{recf} \left( \frac{T}{T_{nom}} - 1 \right) \right]$$

$$n_{recfd} = n_{recf0d} \left[ 1 + nt_{recf} \left( \frac{T}{T_{nom}} - 1 \right) \right]$$

The parameters  $i_{sbjt}, i_{dbjt}, i_{sdif}, i_{ddif}, i_{srec}, i_{drec}, i_{stun}, i_{dtun}$  are diode saturation currents at the nominal temperature  $T_{nom}$ , and the parameters  $X_{bjt}, X_{dif}, X_{rec}, X_{tun}$  are provided to model the temperature dependence. Notice that the non-ideality factors  $n_{recfs}, n_{recfd}, n_{recrs}, n_{recrd}$  are also temperature dependent.

## 5.2. Self-Heating Implementation

BSIMPD/BSIMSOI models the self-heating by an auxiliary  $R_{th}C_{th}$  circuit as shown in Fig. 5.1 [18]. The temperature node (T node) will be created in SPICE simulation if the self-heating selector *shMod* is ON and the thermal resistance is non-zero. The T node is treated as a voltage node and is connected to ground through a thermal resistance  $R_{th}$  and a thermal capacitance  $C_{th}$ :

$$R_{th} = \frac{R_{th0}}{W'_{eff} + W_{th0}}, \quad C_{th} = C_{th0} (W'_{eff} + W_{th0}) \quad (5.2)$$

where  $R_{th0}$  and  $C_{th0}$  are normalized thermal resistance and capacitance, respectively.  $W_{th0}$  is the minimum width for thermal resistance calculation [19]. Notice that the current source is driving a current equal to the power dissipated in the device.



$$P = |I_{ds} \times V_{ds}| \quad (5.3)$$

To save computation time, the turn-on surface potential  $\phi_s$  (Phi) is taken to be a constant within each timepoint because a lot of parameters (e.g.  $X_{dep}$ ) are function of  $\phi_s$ . Each timepoint will use a  $\phi_s$  calculated with the temperature iterated in the previous timepoint. However this approximation may induce error in DC, transient and AC simulation. Therefore, it is a tradeoff between accuracy and speed. The error in DC or transient is minimal if the sweeping step or time step is sufficiently small.

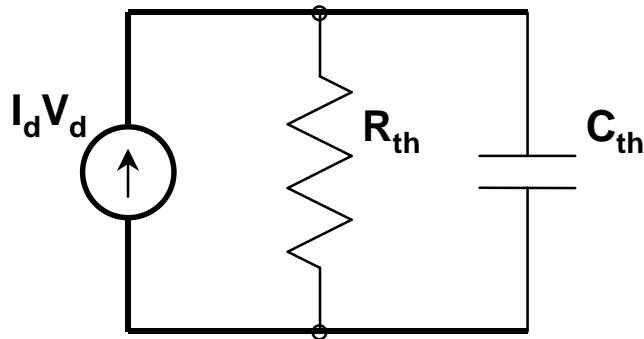


Fig. 5.1 Equivalent circuit for self-heating simulation.

# Chapter 6: BSIMSOI –A Unified Model for PD and FD SOI MOSFETs

---

Using BSIMPD as a foundation, we have developed a unified model for both PD and FD SOI circuit designs based on the concept of *body-source built-in potential lowering* [20, 25].

## 6.1. BSIMSOI Framework and Built-In Potential Lowering Model

As described in [20], we construct BSIMSOI based on the concept of body-source built-in potential lowering,  $\Delta V_{bi}$ . There are four modes ( $soiMod = 0, 1, 2$  and  $3$ ) in BSIMSOI: BSIMPD ( $soiMod = 0$ ) can be used to model the PD SOI device, where the body potential is independent of  $\Delta V_{bi}$  ( $V_{BS} > \Delta V_{bi}$ ). Therefore the calculation of  $\Delta V_{bi}$  is skipped in this mode. On the other hand, the ideal FD model ( $soiMod = 2$ ) is for the FD device with body potential equal to  $\Delta V_{bi}$ . Hence the calculation of body current/charge, which is essential to the PD model, is skipped. For the unified SOI model ( $soiMod = 1$ ), however, both  $\Delta V_{bi}$  and body current/charge are calculated to capture the floating-body behavior exhibited in FD devices. As shown in Figure 6.1, this unified model covers both BSIMPD and the ideal FD model. When  $soiMod = 3$ , BSIMSOI will select the operation mode based on  $V_{bs0t}$  (For details, refer Section 6.3)

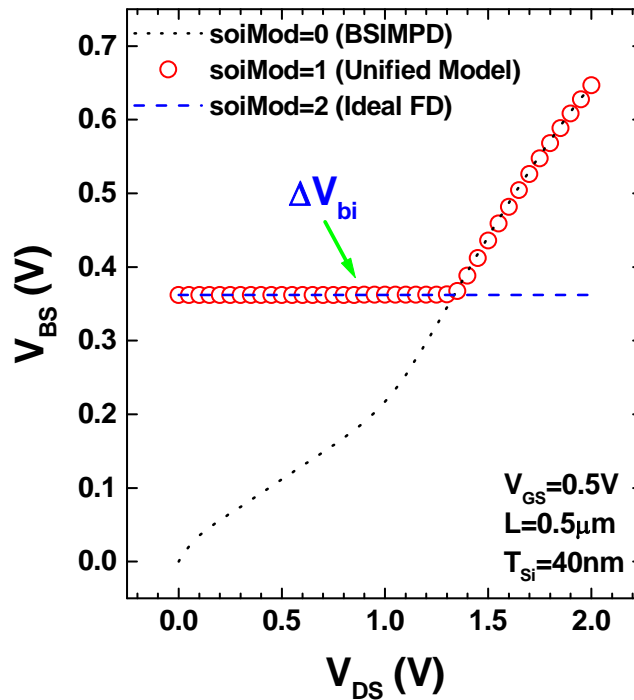


Fig. 6.1 The body potential in the unified model approaches the  $V_{BS}$  solved in BSIMPD for PD devices, while returns to  $\Delta V_{bi}$  for ideal FD devices [20].

This unified model shares the same floating-body module as BSIMPD, with a generalized diode current model considering the body-source built-in potential lowering effect ( $I_{BS} \propto \exp(-q\Delta V_{bi}/kT)$ ). Therefore, an accurate and efficient  $\Delta V_{bi}$  model is crucial. The following formulation for  $\Delta V_{bi}$  is mainly based on the Poisson equation and the physical characterization for  $\Delta V_{bi}$ , as presented in [25].

In order to keep backward compatibility, a new model selector *fdMod* is introduced. Here, *fdMod* = 0 is the old  $\Delta V_{bi}$  formulation, while *fdMod* = 1 is the new one that is easier to fit.

***fdMod* = 0**

For a given surface band bending  $\phi$  (source reference),  $\Delta V_{bi}$  can be formulated by applying the Poisson equation in the vertical direction and continuity of normal displacement at the back interface:

$$\Delta V_{bi}(\phi) = \frac{C_{Si}}{C_{Si} + C_{BOX}} \cdot \left( \phi - \frac{qN_{ch}}{2\epsilon_{Si}} \cdot T_{Si}^2 + \Delta V_{DIBL} \right) + \eta_e(L_{eff}) \frac{C_{BOX}}{C_{Si} + C_{BOX}} \cdot (V_{bGS} - V_{FBb}) \quad (6.1).$$

$$C_{Si} = \frac{\epsilon_{Si}}{T_{Si}}, C_{BOX} = \frac{\epsilon_{OX}}{T_{BOX}}, C_{OX} = \frac{\epsilon_{OX}}{T_{OX}}$$

The first term of Equation (6.1) represents the frontgate coupling.  $T_{Si}$  is the SOI thickness.  $N_{ch}$  accounts for the effective channel doping, which may vary with channel length due to the non-uniform lateral doping effect. The second term of Equation (6.1) represents the backgate coupling ( $V_{bGS}$ ).  $V_{FBb}$  is the backgate flatband voltage. Equation (6.1) shows that the impact of frontgate on  $\Delta V_{bi}$  reaches maximum when the buried oxide thickness,  $T_{BOX}$ , approaches infinity.

In Equation (6.1),  $\Delta V_{DIBL}$  represents the short channel effect on  $\Delta V_{bi}$ ,

$$\Delta V_{DIBL} = D_{vbd0} \left( \exp\left(-D_{vbd1} \frac{L_{eff}}{2l}\right) + 2 \exp\left(-D_{vbd1} \frac{L_{eff}}{l}\right) \right) \cdot (V_{bi} - 2\Phi_B) \quad (6.2),$$

as addressed in [25]. Here  $l$  is the characteristic length for the short-channel-effect calculation.  $D_{vbd0}$  and  $D_{vbd1}$  are model parameters. Similarly, the following equation

$$\eta_e(L_{eff}) = K_{1b} - K_{2b} \cdot \left( \exp\left(-D_{k2b} \frac{L_{eff}}{2l}\right) + 2 \exp\left(-D_{k2b} \frac{L_{eff}}{l}\right) \right) \quad (6.3)$$

is used to account for the short channel effect on the backgate coupling, as described in [25].  $D_{K1b}$ ,  $D_{K2b}$ ,  $K_{1b}$  (default 1) and  $K_{2b}$  (default 0) are model parameters.

### ***fdMod = 1***

However, the two length-dependent functions (i.e., Eqr (6.2) and (6.3)) in  $\Delta V_{bi}$  model make the parameter extraction difficult. Thus, BSIMSOI4.1 introduces a new  $\Delta V_{bi}$  equation as following:

$$\Delta V_{bi} = \frac{C_{Si}}{C_{Si} + C_{BOX} + CDSBS} \cdot \left( \phi - \frac{qN_{ch} \cdot (1 + L_{pe0} / L_{eff})}{2\epsilon_{Si}} \cdot T_{Si}^2 + V_{nonideal} \right) \quad (6.4)$$

$$+ \frac{C_{BOX}}{C_{Si} + C_{BOX} + CDSBS} \cdot (V_{bGS} - V_{FBb}) + \frac{CDSBS}{C_{Si} + C_{BOX} + CDSBS} \cdot \Delta V_{SCE}$$

CDSBS is the new model parameter representing the capacitance of capacitance of drain to the body-source potential.  $\Delta V_{SCE}$  is the length dependence of the capacitance coupling from drain.  $V_{SCE}$  is the new model parameter for SCE of  $\Delta V_{bi}$  at zero  $V_{ds}$ .

$$\Delta V_{SCE} = DVBD0 \cdot \left( \exp\left(-DVBD1 \frac{L_{eff}}{2l}\right) + 2 \exp\left(-DVBD1 \frac{L_{eff}}{l}\right) \right) \cdot (V_{ds} + VSCE) \quad (6.4)$$

If body contact devices are available, a direct probe of  $\Delta V_{bi}$  can be achieved by finding the onset of the external body bias after the channel current (threshold voltage) of FD device is modulated.

If body contact devices are not available, the length dependence related parameters of  $\Delta V_{bi}$  will be set to the value of SCE parameters in  $V_T$  equation.

$$\begin{aligned} Dvbd0 &= D_{VT0} \\ Dvbd1 &= D_{VT1} \end{aligned} \quad (6.5)$$

The surface band bending,  $\phi$ , is determined by the frontgate  $V_{GS}$  and may be approximated by

$$\phi = \begin{cases} \Phi_{ON} & \text{for } V_{GS} \geq V_T \\ \Phi_{ON} - \frac{C_{OX}}{C_{OX} + (C_{Si}^{-1} + C_{BOX}^{-1})^{-1}} \cdot (V_T - V_{GS}) & \text{for } V_{GS} \leq V_T \end{cases} \quad (6.6).$$

To improve the simulation convergence, the following single continuous function from subthreshold to strong inversion is used:

$$\phi = \Phi_{ON} - \frac{C_{OX}}{C_{OX} + (C_{Si}^{-1} + C_{BOX}^{-1})^{-1}} \cdot N_{OFF,FD} V_t \cdot \ln \left( 1 + \exp \left( \frac{V_{T,FD} - V_{gs\_eff} - V_{OFF,FD}}{N_{OFF,FD} V_t} \right) \right) \quad (6.7).$$

Here  $V_{gs\_eff}$  is the effective gate bias considering the poly-depletion effect.  $V_{T,FD}$  is the threshold voltage at  $V_{BS} = \Delta V_{bi} (\phi = 2\Phi_B)$ .  $N_{OFF,FD}$  (default 1) and  $V_{OFF,FD}$  (default 0) are model parameters introduced to improve the transition between subthreshold and strong inversion.  $V_t$  is the thermal

voltage. Notice that the frontgate coupling ratio in the subthreshold regime approaches 1 as  $T_{BOX}$  approaches infinity.

To accurately model  $\Delta V_{bi}$  and thus the device output characteristics, the surface band bending at strong inversion,  $\Phi_{ON}$ , is not pinned at  $2\Phi_B$ . Instead, the following equation

$$\Phi_{ON} = 2\Phi_B + v_t \ln \left( 1 + \frac{V_{gsteff,FD} \left( V_{gsteff,FD} + 2K1\sqrt{2\Phi_B} \right)}{moin \cdot K1 \cdot v_t^2} \right) \quad (6.8)$$

is used to account for the surface potential increment with gate bias in the strong inversion regime [4]. Here *moin* is a model parameter. K1 is the body effect coefficient. Notice that a single continuous function,

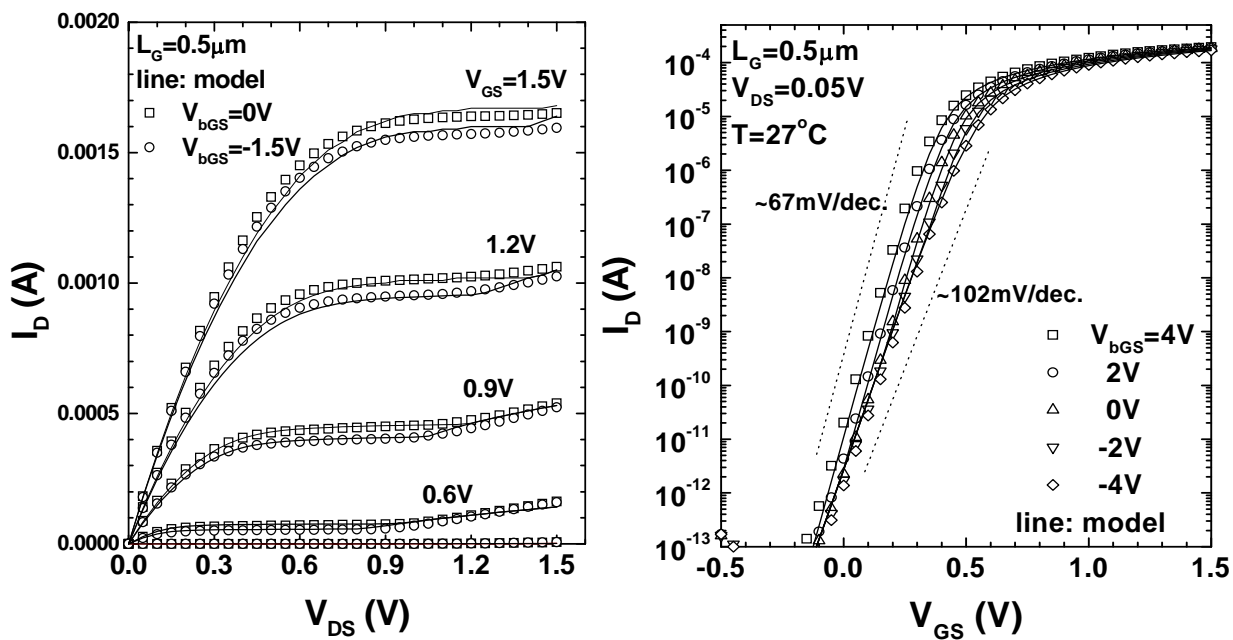
$$V_{gsteff,FD} = N_{OFF,FD} V_t \cdot \ln \left( 1 + \exp \left( \frac{V_{gs\_eff} - V_{T,FD} - V_{OFF,FD}}{N_{OFF,FD} V_t} \right) \right) \quad (6.9)$$

has been used to represent the gate overdrive in Equation (6.7).

## 6.2. Verification

The BSIMPD parameter extraction methodology presented in [20] may still be used under the unified BSIMSOI framework, provided that the link between PD and FD,  $\Delta V_{bi}$ , can be accurately extracted. As described in [25], a direct probe of  $\Delta V_{bi}$  can be achieved by finding the onset of the external body bias (through a body contact) after which the threshold voltage and hence the channel current of the FD SOI device is modulated. When the body contact is not available, nevertheless, model parameters related to  $\Delta V_{bi}$  should be extracted based on the subthreshold characteristics of the floating-body device. As shown in Figure 6.2, the reduction of  $\Delta V_{bi}$  with backgate bias is responsible for the transition from the ideal subthreshold swing ( $\sim 60$  mV/dec. at room temperature) to the non-ideal one.

Figure 6.2 clearly shows that the PD/FD transition can be captured by the  $\Delta V_{bi}$  approach. In other words,  $\Delta V_{bi}$  is indeed an index of the degree of full depletion, as pointed out in [20, 25]. As shown in Figure 6.3, larger floating-body effect can be observed for negative backgate bias due to smaller  $\Delta V_{bi}$ . In case the  $\Delta V_{bi}$  value is raised by charge sharing as described in [25], it can be predicted that the short-channel device should exhibit less floating-body effect than the long-channel one due to larger  $\Delta V_{bi}$ , as verified in Figure 6.4.



(Left) Fig. 6.2 The PD/FD transition can be captured by modeling  $\Delta V_{bi}$  [20].

(Right) Fig. 6.3 Larger floating-body effect can be seen for the negative backgate bias (source reference) due to smaller  $\Delta V_{bi}$  [20].

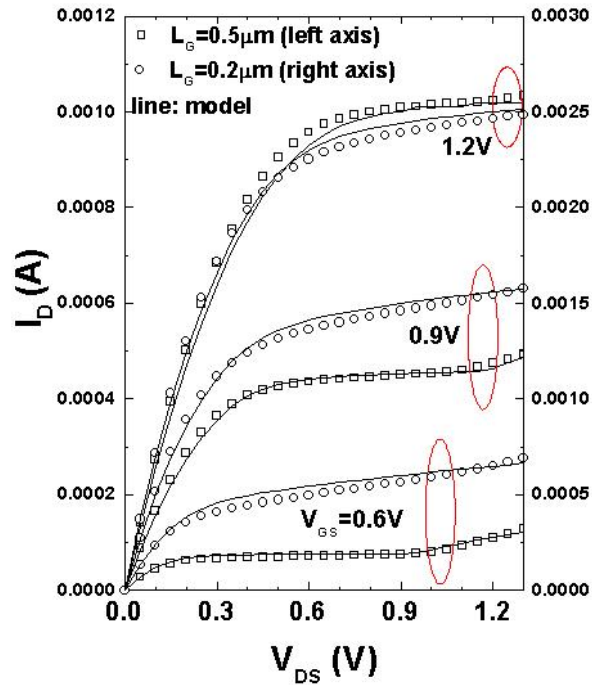


Fig. 6.4 Less floating-body effect can be seen for the short-channel device due to larger  $\Delta V_{bi}$  [20].

### 6.3. Model Selector SOIMOD

The model selector, *SoiMod*, is an instance parameter and a model parameter. *SoiMod* will determine the operation of BSIMSOI.

If *SoiMod*=0 (default), the model equation is identical to BSIMPD equation.

If *SoiMod*=1 (unified model for PD&FD) or *SoiMod*=2 (ideal FD), the following equations (FD module) are added on top of BSIMPD.



$$V_{bs0} = \frac{C_{Si}}{C_{Si} + C_{BOX}} \cdot \left( \phi_i - \frac{qN_{ch}(1 + N_{LX}/L_{eff})}{2\epsilon_{Si}} \cdot T_{Si}^2 + V_{nonideal} + \Delta V_{DIBL} \right) + \eta_e \frac{C_{BOX}}{C_{Si} + C_{BOX}} \cdot (V_{es} - V_{FBb})$$

$$\text{where } C_{Si} = \frac{\epsilon_{Si}}{T_{Si}}, C_{BOX} = \frac{\epsilon_{OX}}{T_{BOX}}, C_{OX} = \frac{\epsilon_{OX}}{T_{OX}}$$

$$\Delta V_{DIBL} = D_{vbd1} \left( \exp\left(-D_{vbd1} \frac{L_{eff}}{2l}\right) + 2 \exp\left(-D_{vbd1} \frac{L_{eff}}{l}\right) \right) \cdot (V_{bi} - 2\Phi_B)$$

$$\eta_e = K_{1b} - K_{2b} \cdot \left( \exp\left(-D_{k2b} \frac{L_{eff}}{2l}\right) + 2 \exp\left(-D_{k2b} \frac{L_{eff}}{l}\right) \right)$$

$$\phi_i = \phi_{iON} - \frac{C_{OX}}{C_{OX} + (C_{Si}^{-1} + C_{BOX}^{-1})^{-1}} \cdot N_{OFF,FD} V_t \cdot \ln \left( 1 + \exp\left(\frac{V_{th,FD} - V_{gs\_eff} - V_{OFF,FD}}{N_{OFF,FD} V_t}\right) \right)$$

$$\phi_{iON} = 2\Phi_B + V_t \ln \left( 1 + \frac{V_{gsteff,FD} (V_{gsteff,FD} + 2K1\sqrt{2\Phi_B})}{MoinFD \cdot K1 \cdot V_t^2} \right),$$

$$V_{gsteff,FD} = N_{OFF,FD} V_t \cdot \ln \left( 1 + \exp\left(\frac{V_{gs\_eff} - V_{th,FD} - V_{OFF,FD}}{N_{OFF,FD} V_t}\right) \right)$$

Here  $N_{ch}$  is the channel doping concentration.  $N_{LX}$  is the lateral non-uniform doping coefficient to account for the lateral non-uniform doping effect.  $V_{FBb}$  is the backgate flatband voltage.  $V_{th,FD}$  is the threshold voltage at  $V_{bs}=V_{bs0}(\phi_i=2\Phi_B)$ .  $v_t$  is thermal voltage.  $K1$  is the body effect coefficient.

If  $SoiMod=1$ , the lower bound of  $V_{bs}$  (SPICE solution) is set to  $V_{bs0}$ . If  $SoiMod=2$ ,  $V_{bs}$  is pinned at  $V_{bs0}$ . Notice that there is no body node and body leakage/charge calculation in  $SoiMod=2$ .

The zero field body potential that will determine the transistor threshold voltage,  $V_{bsmos}$ , is then calculated by

$$\begin{aligned} & \text{if } V_{bs} \leq V_{bs0} (T_{OX} \rightarrow \infty) \\ V_{bsmos} &= V_{bs} - \frac{C_{Si}}{2qN_{ch}T_{Si}} (V_{bs0} (T_{OX} \rightarrow \infty) - V_{bs})^2 \\ & \text{else} \\ V_{bsmos} &= V_{bs} \end{aligned}$$

The subsequent clamping of  $V_{bsmos}$  will use the same equation that utilized in BSIMPD. Please download the BSIMPD manual at ([www-device.eecs.Berkeley.edu/~bsimsoi](http://www-device.eecs.Berkeley.edu/~bsimsoi)).

If  $\text{SoiMod}=3$  is specified, BSIMSOI will select the operation mode for the user based on the estimated value of  $V_{bs0}$  at  $\phi_i=2\Phi_B$  (bias independent),  $V_{bs0t}$ :

If  $V_{bs0t} > V_{bs0fd}$ , BSIMSOI will be in the ideal FD mode ( $\text{SoiMod}=2$ ).

If  $V_{bs0t} < V_{bs0pd}$ , BSIMSOI will be in the BSIMPD mode ( $\text{SoiMod}=0$ ).

Otherwise, BSIMSOI will be operated under  $\text{SoiMod}=1$ .

Notice that both  $V_{bs0fd}$  and  $V_{bs0pd}$  are model parameters.

---

## Chapter 7: BSIMSOI RF Model

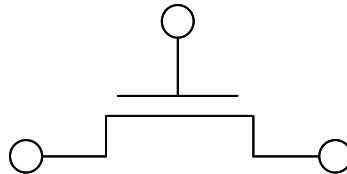
---

BSIMSOI4.1 provides the gate resistance model and body resistance model for devices used in RF application.

### 7.1 Gate Electrode and Intrinsic-Input Resistance (IIR) Model

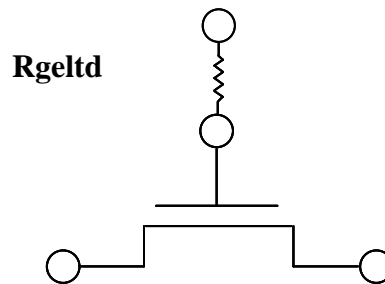
Users have four options for modeling gate electrode resistance (bias independent) and intrinsic-input resistance ( $R_{ii}$ , bias-dependent) by choosing model choice parameter  $rgateMod$ .

$R_{gateMod} = 0$  (zero-resistance):



In this case, no gate resistance is generated.

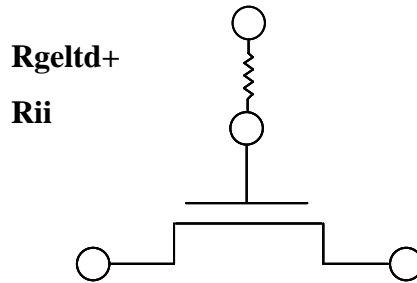
$R_{gateMod} = 1$  (constant-resistance):



In this case, only the electrode gate resistance (bias-independent) is generated by adding an internal gate node. The electrode gate resistance  $R_{geltd}$  is given by

$$R_{geltd} = \frac{RSHG \cdot \left( XGW + \frac{W_{eff}}{3 \cdot NGCON \cdot NSEG} \right)}{NGCON \cdot (L_{drawn} - XGL)} \quad (7.1)$$

RgateMod = 2 (RII model with variable resistance):



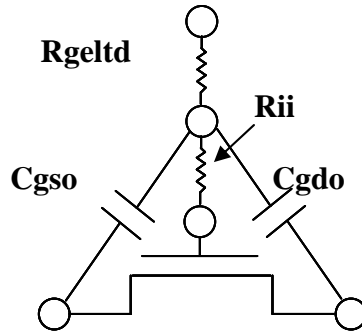
In this case, the gate resistance is the sum of the electrode gate resistance and the intrinsic-input

resistance Rii as given by 
$$\frac{1}{Rii} = XRCRG1 \cdot \left( \frac{I_{ds}}{V_{dseff}} + XRCRG2 \cdot \frac{W_{eff} \mu_{eff} C_{oxeff} k_B T}{qL_{eff}} \right)$$
 (7.2)

An internal gate node will be generated.

RgateMod = 3 (RII model with two nodes):

In this case, the gate electrode resistance is in series with the intrinsic-input resistance Rii through two internal gate nodes, so that the overlap capacitance current will not pass through the intrinsic-input resistance.



## 7.2 Body Resistance Network

### RbodyMod = 0

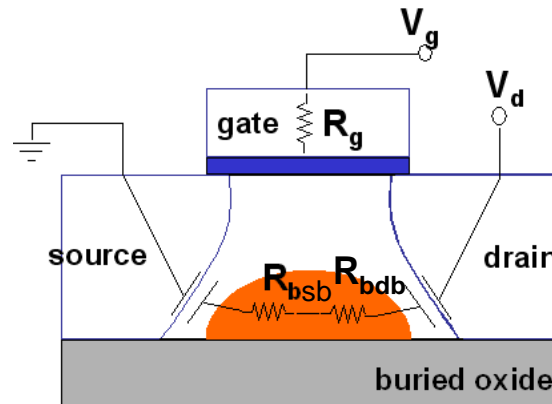
In this case, body resistance network turns off. RF data still could be fit for fully depleted SOI device [28].

### RbodyMod = 1

A two-resistance body resistance network turns on as shown in the following figure.

Two extra nodes sbNode and dbNode are introduced in this case. The body resistor RBSB/RBDB are located between sbNode/dbNode and bNode. As in BSIM4, a minimum conductance, *GBMIN*, is introduced in parallel with each resistance and therefore to prevent infinite resistance values, which would otherwise cause poor convergence.

Note that the intrinsic model body reference point in this case is the internal body node **bNode**, into which the impact ionization current *I<sub>ii</sub>* and the GIDL current *I<sub>GIDL</sub>* flow.



## Chapter 8 BSIMSOI Noise Model

---

### 8.1 Flicker noise models

BSIMSOI4.1 provides two flicker noise models. When the model selector `fnoiMod` is set to 0, a simple flicker noise model which is convenient for hand calculation is invoked. A unified physical flicker noise model, which is the default model, will be used if `fnoiMod`=1. These two modes come from BSIMSOI3.1, but the unified model has many improvements. For instance, it is now smooth over all bias regions and considers the bulk charge effect.

- `fnoiMod` = 0 (simple model)

The noise density is:

$$S_{id}(f) = \left( \frac{W_{eff}}{W0FLK} \right)^{1-AF} \cdot \frac{KF \cdot I_{ds}^{AF}}{C_{oxe} L_{eff}^{BF} \cdot f^{EF}} \quad (8.1)$$

- `fnoiMOd` = 1 (unified model)

The physical mechanism for the flicker noise is trapping/de-trapping related charge fluctuation in oxide traps, which results in fluctuations of both mobile carrier numbers and mobility in the channel. The unified flicker noise model captures this physical process.

The noise density in inversion region is given by:

$$S_{id,inv}(f) = \frac{k_B T q^2 \mu_{eff} I_{ds}}{C_{oxe} L_{eff}^2 A_{bulk} f^{ef} \cdot 10^{10}} \left( NOIA \log \left( \frac{N_0 + N^*}{N_l + N^*} \right) + NOIB (N_0 - N_l) + \frac{NOIC}{2} (N_0^2 - N_l^2) \right) \quad (8.2)$$

$$+ \frac{k_B T I_{ds}^2 \Delta L_{clm}}{W_{eff} L_{eff}^2 f^{ef} \cdot 10^{10}} \frac{NOIA + NOIB \cdot N_l + NOIC \cdot N_l^2}{(N_l + N^*)^2}$$

Where  $\mu_{eff}$  is the effective mobility at the given bias condition, and  $L_{eff}$  and  $W_{eff}$  are the effective length and width respectively. The parameter  $N_0$  is the charge density at the source side given by:

$$N_0 = \frac{C_{ox} V_{gsteff}}{q} \quad (8.3)$$

The parameter  $N_l$  is the charge density at the source side given by:

$$N_l = \frac{C_{ox} V_{gsteff}}{q} \left( 1 - \frac{A_{bulk} V_{dseff}}{V_{gsteff} + 2v_t} \right) \quad (8.4)$$

$N^*$  is given by:

$$N^* = k_B T \cdot (C_{ox} + C_d + CIT) / q^2 \quad (8.5)$$

where  $CIT$  is a model parameter from DC IV and  $C_d$  is the depletion capacitance.

$\Delta L_{clm}$  is the channel length reduction due to channel length modulation and given by:

$$\Delta L_{clm} = Litl \cdot \log \left( \frac{\frac{V_{ds} - V_{dseff}}{Litl} + EM}{E_{sat}} \right) \quad (8.6)$$

$$E_{sat} = \frac{2VSAT}{\mu_{eff}}$$

In the subthreshold region, the noise density is written as:

$$S_{id,subvt}(f) = \frac{NOIA \cdot k_B T \cdot I_{ds}^2}{W_{eff} L_{eff} f^{EF} N^{*2} \cdot 10^{10}} \quad (8.5)$$

The total flicker noise density is given by

$$S_{id}(f) = \frac{S_{id,inv}(f) \times S_{id,subvt}(f)}{S_{id,inv}(f) + S_{id,subvt}(f)} \quad (8.6)$$

## 8.2 Thermal noise models

There are three channel thermal noise models in BSIMSOI4.0 beta version. One is the charge based model (default) similar to that used in BSIMSOI3.1. The second is the BSIM4 compatible holistic thermal noise model. The simple SPICE2 thermal noise model is also provided in BSIMSOI4.1. These three models can be selected through the model selector `tnoiMod`.

- `tnoiMod = 0` (charge based model)

The noise current is given by

$$\overline{i_d^2} = \frac{4k_B T \Delta f}{R_{ds} + \frac{L_{eff}^2}{\mu_{eff} |Q_{inv}|}} \cdot NTNOI \quad (8.7)$$

where  $R_{ds}$  is the source/drain resistance, and the parameter  $NTNOI$  is introduced for more accurate fitting of short-channel devices.  $Q_{inv}$  is the inversion channel charge computed from the capacitance models

- `tnoiMod = 1` (holistic model)

In this thermal noise model, all the short-channel effects and velocity saturation effect incorporated in the IV model are automatically included, hence the name “holistic thermal



noise model”. In addition, the amplification of the channel thermal noise through  $G_m$  and  $G_{mbs}$  as well as the induced-gate noise with partial correlation to the channel thermal noise are all captured in the new “noise partition” model.

The noise voltage source partitioned to the source side is given by:

$$\overline{v_d^2} = 4k_B T \cdot \theta_{moi}^2 \cdot \frac{V_{dseff} \Delta f}{I_{ds}} \quad (8.8)$$

and the noise current source put in the channel region with gate and body amplification is given by:

$$\overline{i_d^2} = 4k_B T \frac{V_{dseff} \Delta f}{I_{ds}} \left[ G_{ds} + \beta_{moi} \cdot (G_m + G_{mbs}) \right]^2 - \overline{v_d^2} \cdot (G_m + G_{ds} + G_{mbs})^2 \quad (8.9)$$

where

$$\begin{aligned} \theta_{moi} &= RNOIB \cdot \left[ 1 + TNOIB \cdot L_{eff} \left( \frac{V_{gsteff}}{E_{sat} L_{eff}} \right)^2 \right] \\ \beta_{moi} &= RNOIA \cdot \left[ 1 + TNOIA \cdot L_{eff} \left( \frac{V_{gsteff}}{E_{sat} L_{eff}} \right)^2 \right] \end{aligned} \quad (8.10)$$

- tnoiMod = 2 (SPICE2 model)

$$\overline{i_d^2} = \frac{8k_B T \Delta f}{3} \cdot NTNOI \cdot (G_m + G_{mbs} + G_{ds}) \quad (8.11)$$

The parameter NTNOI is added to give the flexibility to tune the magnitude of noise density.

### 8.3 Other improvement on noise model

In BSIMSOI4.1, some other improvements on noise model are made as following

1. Body contact resistance induced thermal noise is introduced.
2. Thermal noise induced by the body resistance network is introduced as RBODYMOD=1.
3. Shot noises induced by  $I_{bs}$  and  $I_{bd}$  are equal in BSIMSOI3.2 and BSIMPD. In BSIMSOI4.0, these two noises are separated.

## Chapter 9 Stress Effect Model

---

The mechanical stress effect induced by process causes the performance of MOSFET to be function of the active area size (OD: oxide definition) and the location of the device in the active area. The necessity of new models to describe the layout dependence of MOS parameters due to stress effect becomes very urgent in advance CMOS technologies. Influence of stress on mobility has been well known since the 0.13um technology. The stress influence on saturation velocity is also experimentally demonstrated. Stress-induced enhancement or suppression of dopant diffusion during the processing is reported. Since the doping profile may be changed due to different STI sizes and stress, the threshold voltage shift and changes of other second-order effects, such as DIBL and body effect, were shown in process integration.

Experimental analysis shows that there exist at least two different mechanisms within the influence of stress effect on device characteristics. The first one is mobility related which is induced by the band structure modification. The second one is  $V_{th}$  related as a result of doping profile variation. Both of them follow the same 1/LOD trend but reveal different L and W scaling. A BSIM4 compatible phenomenological stress model based on these findings has been developed by modifying some parameters. Note that the following equations have no impact on the iteration time because there are no voltage-controlled components in them.

### 9.1 Mobility Related Equations

Mobility changes induced by stress effect is modeled by adjusting  $U_0$  and  $V_{sat}$  according to different W, L and OD shapes. The relative change of mobility is defined as follows:

$$\rho_{\mu_{eff}} = \frac{\Delta\mu_{eff}}{\mu_{eff0}} = \frac{\mu_{eff} - \mu_{eff0}}{\mu_{eff0}} \quad (9.1)$$

So we have

$$\frac{\mu_{eff}}{\mu_{eff0}} = 1 + \rho_{\mu_{eff}} \tag{9.2}$$

Figure (9.1) shows the typical layout of a MOSFET on active layout surrounded by STI isolation. SA, SB are the distances between isolation edge to Poly from one and the other side, respectively [27]. 2D simulation shows that stress distribution can be expressed by a simple function of SA and SB. Figure (9.2) shows the schematic stress distribution in the OD region [29].

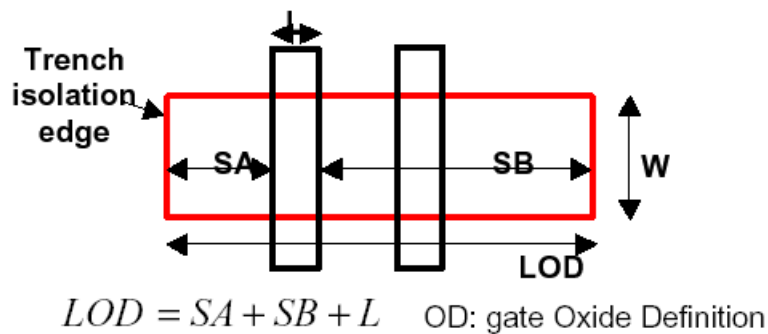


Fig. 9.1 shows the typical layout of a MOSFET [27]

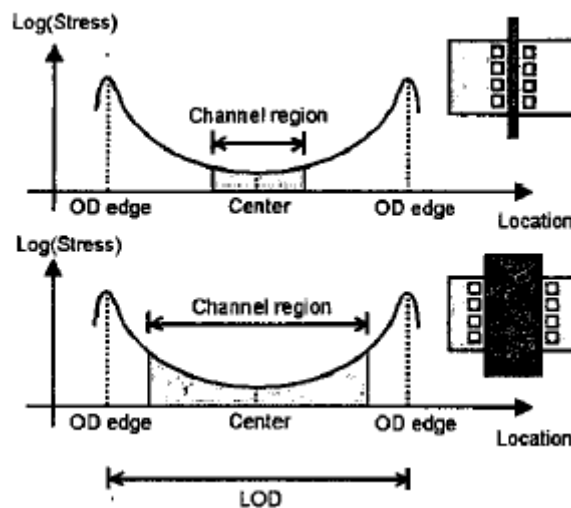


Fig. 9.2 Schematic stress distribution in the OD region [29]

Assuming that mobility relative change is proportional to stress distribution. It can be described as function of SA, SB(LOD effect), L, W, and T dependence.

$$\rho_{\mu_{eff}} = \frac{KU0}{Kstress\_u0} \cdot (Inv\_sa + Inv\_sb) \quad (9.3)$$

$$\text{where } Inv\_sa = \frac{1}{SA + 0.5 \cdot L_{drawn}}, \quad Inv\_sb = \frac{1}{SB + 0.5 \cdot L_{drawn}},$$

$$Kstress\_u0 = \left( 1 + \frac{LKU0}{(L_{drawn} + XL)^{LLODKU0}} + \frac{WKU0}{(W_{drawn} + XW + WLOD)^{WLODKU0}} + \frac{PKU0}{(L_{drawn} + XL)^{LLODKU0} \cdot (W_{drawn} + XW + WLOD)^{WLODKU0}} \cdot \left( 1 + TKU0 \cdot \left( \frac{Temperature}{TNOM} - 1 \right) \right) \right)$$

So that

$$\mu_{eff} = \frac{1 + \rho_{\mu_{eff}}(SA, SB)}{1 + \rho_{\mu_{eff}}(SA_{ref}, SB_{ref})} \mu_{eff0} \quad (9.4)$$

$$v_{sattemp} = \frac{1 + KVSAT \cdot \rho_{\mu_{eff}}(SA, SB)}{1 + KVSAT \cdot \rho_{\mu_{eff}}(SA_{ref}, SB_{ref})} v_{sattemp0} \quad (9.5)$$

where  $\mu_{eff0}$ ,  $v_{sattemp0}$  are low field mobility and low field saturation velocity at  $SA_{ref}$ ,  $SB_{ref}$ .

$SA_{ref}$ ,  $SB_{ref}$  are reference distances between OD edge to poly from one and the other side.

## 9.2 Vth-related Equations

Vth0, K2 and ETA0 are modified to cover the doping profile change in the devices with different LOD. They use the same 1/LOD formulas as shown in section(13.1.1), but different equations for W and L scaling:

$$VTH0 = VTH0_{original} + \frac{KVTH0}{Kstress\_vth0} (Inv\_sa + Inv\_sb - Inv\_sa_{ref} - Inv\_sb_{ref}) \quad (9.6)$$

$$K2 = K2_{original} + \frac{STK2}{Kstress\_vth0^{LODK2}} \cdot (Inv\_sa + Inv\_sb - Inv\_sa_{ref} - Inv\_sb_{ref}) \quad (9.7)$$

$$ETA0 = ETA0_{original} + \frac{STETA0}{Kstress\_vth0^{LODETA0}} \cdot (Inv\_sa + Inv\_sb - Inv\_sa_{ref} - Inv\_sb_{ref}) \quad (9.8)$$

where  $Inv\_sa_{ref} = \frac{1}{SA_{ref} + 0.5 \cdot L_{drawn}}$ ,  $Inv\_sb_{ref} = \frac{1}{SB_{ref} + 0.5 \cdot L_{drawn}}$

$$Kstress\_vth0 = \left( \begin{aligned} &1 + \frac{LKVTH0}{(L_{drawn} + XL)^{LLODKVTH}} + \frac{WKVTH0}{(W_{drawn} + XW + WLOD)^{WLODKVTH}} \\ &+ \frac{PKU0}{(L_{drawn} + XL)^{LLODKVTH} \cdot (W_{drawn} + XW + WLOD)^{WLODKVTH}} \end{aligned} \right)$$

### 9.3 Multiple Finger Device

For multiple finger devices, as shown the layout in Fig. 9.3, the total LOD effect is the average of LOD effect to every finger. That is:

$$Inv\_sa = \frac{1}{NF} \sum_{i=0}^{NF-1} \frac{1}{SA + 0.5 \cdot L_{drawn} + i \cdot (SD + L_{drawn})}$$

$$Inv\_sb = \frac{1}{NF} \sum_{i=0}^{NF-1} \frac{1}{SB + 0.5 \cdot L_{drawn} + i \cdot (SD + L_{drawn})}$$

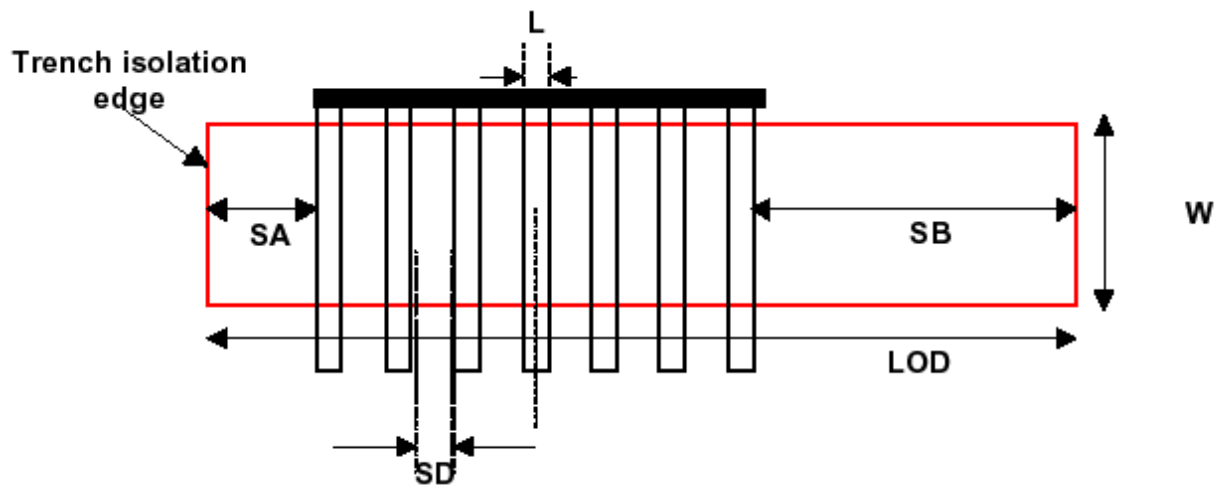


Fig. 9.3 Layout of multiple-finger MOSFET [27]

## Chapter 10 New Material Model

In BSIMSOI4.1, a new global selector is introduced to turn on or of the new material models, which are important for the advanced CMOS technology. When users select  $mtrlMod = 1$ , the new materials (such as high k/metal gate) could be modeled. The default value ( $mtrlMod = 0$ ) maintains the backward compatibility.

### 10.1 Non-Silicon Channel

With the three new parameters, the temperature-dependent band gap and intrinsic carriers in non-silicon channel are described as follow:

$$Eg0 = BG0SUB - \frac{TBGASUB \times Tnom^2}{Tnom + TBGBSUB} \quad (10.1)$$

$$Eg(300.15) = BG0SUB - \frac{TBGASUB \times 300.15^2}{300.15 + TBGBSUB} \quad (10.2)$$

$$n_i = NI0SUB \times \left( \frac{Tnom}{300.15} \right)^{3/2} \times \exp\left( \frac{Eg(300.15) - Eg0}{2v_t} \right) \quad (10.3)$$

$$Eg = BG0SUB - \frac{TBGASUB \times Temp^2}{Temp + TBGBSUB} \quad (10.4)$$

Here,  $BG0SUB$  is the band-gap of substrate at  $T=0K$ ;  $TBGASUB$  and  $TBGBSUB$  are the first and second parameters of band-gap change due to temperature, respectively.

When  $capMod=3$ , the inversion charge layer thickness ( $X_{DC}$ ) is also modified as follows:

$$X_{DC} = \frac{ADOS \times 1.9 \times 10^{-9}}{1 + \left( \frac{V_{gsteff} + (VTH0 - VFB - \phi_s)}{2TOXP} \right)^{0.7 \times BDOS}} \quad (10.5)$$

Here, the density of states parameters  $ADOS$  and  $BDOS$  are introduced to control the charge centroid.

## 10.2 Non-SiO<sub>2</sub> Gate insulator

For Non-SiO<sub>2</sub> gate insulator, the equivalent SiO<sub>2</sub> thickness ( $EOT$ ) is a new input parameter, which is measured at  $VDDEOT$ . Given these new parameters ( $EOT$  and  $VDDEOT$ ), the physical gate oxide thickness  $TOXP$  could be calculated as follows:

$$TOXP = EOT - \frac{3.9}{EPSRSUB} \times X_{DC} \Big|_{V_{gs}=VDDEOT, V_{ds}=V_{bs}=0} \quad (10.6)$$

Here,  $EPSRSUB$  is the dielectric constant of substrate relative to vacuum.

## 10.3 Non-Poly Silicon Gate Material

Two new parameters are introduced to describe the non-poly silicon gate material. One is  $PHIG$ , which is the gate work function. Another is  $EPSRGATE$ , the dielectric constant of gate relative to vacuum. It is worth pointing out that  $EPSRGATE=0$  represents the metal gate and deactivates the ploy depletion effect.

When the gate dielectric and channel are different materials, the flat band voltage at Source/Drain is calculated using the following:

$$V_{fbsd} = PHIG - (EASUB + \frac{Eg0}{2} - B4SOItype \times MIN\left(\frac{Eg0}{2}, v_t \ln\left(\frac{NSD}{n_i}\right)\right)) \quad (10.7)$$

Here  $B4SOItype$  is defined as +1 for nMOS and -1 for pMOS.

This new flat band equation improves the GIDL/GISL models as following:

$$I_{GIDL} = AGIDL \cdot W_{effCJ} \cdot Nf \cdot \frac{V_{ds} - V_{gse} - EGIDL + V_{fbsd}}{EOT \cdot \frac{EPSRSUB}{3.9}} \exp\left(-\frac{EOT \cdot \frac{EPSRSUB}{3.9} \cdot BGIDL}{V_{ds} - V_{gse} - EGIDL + V_{fbsd}}\right) \cdot \frac{V_{db}^3}{CGIDL + V_{db}^3} \quad (10.8)$$



$$I_{GISL} = AGISL \cdot W_{effCJ} \cdot Nf \cdot \frac{-V_{ds} - V_{gde} - EGISL + V_{fbsd}}{EOT \cdot \frac{EPSRSUB}{3.9}} \quad (10.9)$$

$$\exp \left( - \frac{EOT \cdot \frac{EPSRSUB}{3.9} \cdot BGISL}{-V_{ds} - V_{gde} - EGISL + V_{fbsd}} \right) \cdot \frac{V_{sb}^3}{CGISL + V_{sb}^3}$$

Furthermore, for **mtrlMod=1** the mobility degradation uses the new expression of the vertical field in channel as following:

$$E_{eff} = \frac{V_{gsteff} + 2V_{th} - 2 \cdot B4SOItype \cdot (PHIG - EASUB - Eg / 2 + 0.45)}{EOT} \times \frac{3.9}{EPSRSUB} \quad (10.10)$$

Consequently, when **mtrlMod=1**, **mobMod=1**, 2 and 3 are changed, respectively:

**mobMod=1**

$$\mu_{eff} = \frac{\mu_o}{1 + (U_a + U_c V_{bseff}) E_{eff} + U_b E_{eff}^2} \quad (10.11)$$

**mobMod=2**

$$\mu_{eff} = \frac{\mu_o}{1 + (U_a + U_c V_{bseff}) \left( \frac{V_{gsteff} - U_d}{T_{ox}} \right) + U_b \left( \frac{V_{gsteff} - U_d}{T_{ox}} \right)^2} \quad (10.12)$$

$$U_d = 2 \cdot B4SOItype \cdot (PHIG - EASUB - Eg / 2 + 0.45)$$

**mobMod=3**

$$\mu_{eff} = \frac{\mu_0}{1 + [U_a E_{eff} + U_b E_{eff}^2] (1 + U_c V_{bseff})} \quad (10.13)$$

## Appendix A: Model Instance Syntax

```

Mname <D node> <G node> <S node> <E node> [P node]
      [B node] [T node] <model>
      [L=<val>] [W=<val>]
      [AD=<val>] [AS=<val>] [PD=<val>] [PS=<val>]
      [NRS=<val>] [NRD=<val>] [NRB=<val>]
      [OFF][BJTOFF=<val>]
      [IC=<val>,<val>,<val>,<val>,<val>]
      [RTH0=<val>] [CTH0=<val>]
      [DEBUG=<val>]
      [DELVTO=<val>]
      [SA=<val>][SB=<val>][SD=<val>]
      [NF=<val>]
      [NBC=<val>] [NSEG=<val>] [PDBCP=<val>] [PSBCP=<val>]
      [AGBCP=<val>][AEBGP=<val>][VBSUSR=<val>][TNODEOUT]
      [FRBODY=<val>][AGBCPD=<val>]
    
```

### Description

<D node>		Drain node
<G node>	Gate node	
<S node>	Source node	
<E node>	Substrate node	
[P node]	(Optional) external body contact node	
[B node]	(Optional) internal body node	
[T node]	(Optional) temperature node	
<model>	Level 9 BSIM3SOI model name	
[L]	Channel length	

## Appendix A: Model Instance Syntax

---

[W]	Channel width
[AD]	Drain diffusion area
[AS]	Source diffusion area
[PD]	Drain diffusion perimeter length
[PS]	Source diffusion perimeter length
[NRS]	Number of squares in source series resistance
[NRD]	Number of squares in drain series resistance
[NRB]	Number of squares in body series resistance
[OFF]	Device simulation off
[BJTOFF]	Turn off BJT current if equal to 1
[IC]	Initial guess in the order of (Vds, Vgs, Vbs, Ves, Vps). (Vps will be ignored in the case of 4-terminal device)
[RTH0]	Thermal resistance per unit width <ul style="list-style-type: none"><li>■ if not specified, RTH0 is extracted from model card.</li><li>■ if specified, it will override the one in model card.</li></ul>
[CTH0]	Thermal capacitance per unit width <ul style="list-style-type: none"><li>■ if not specified, CTH0 is extracted from model card.</li><li>■ if specified, it will over-ride the one in model card.</li></ul>
[DEBUG]	Please see the debugging notes
[DELVTO]	Zero bias threshold voltage variation
[SA]	Stress effect parameter
[SB]	Stress effect parameter
[SD]	Stress effect parameter
[NF]	Number of fingers
[NBC]	Number of body contact isolation edge
[NSEG]	Number of segments for channel width partitioning [17]
[PDBCP]	Parasitic perimeter length for body contact at drain side
[PSBCP]	Parasitic perimeter length for body contact at source side
[AGBCP]	Parasitic gate-to-body overlap area for body contact (n <sup>+</sup> -p)
[AGBCP2]	Parasitic gate-to-body overlap area for body contact (p <sup>+</sup> -p)

For details of AGBCP and AGBCP2, please check Fig.4.4

## Appendix A: Model Instance Syntax

---

[AEBCP]	Parasitic body-to-substate overlap area for body contact
[VBSUSR]	Optional initial value of Vbs specified by user for transient analysis
[TNODEOUT]	Temperature node flag indicating the usage of T node
[FRBODY]	Layout-dependent body resistance coefficient
[AGBCPD]	Parasitic gate-to-body overlap area for body contact in DC
[RBDB]	Resistance between bNode and dbNode
[RBSB]	Resistance between bNode and sbNode

### A.2. About Optional Nodes

There are three optional nodes, P, B and T nodes. P and B nodes are used for body contact devices. Let us consider the case when TNODEOUT is not set. If user specifies four nodes, this element is a 4-terminal device, i.e., floating body. If user specifies five nodes, the fifth node represents the external body contact node (P). There is a body resistance between internal body node and P node. In these two cases, an internal body node is created but it is not accessible in the circuit deck. If user specifies six nodes, the fifth node represents the P node and the sixth node represents the internal body node (B). This configuration is useful for distributed body resistance simulation.

If TNODEOUT flag is set, the last node is interpreted as the temperature node. In this case, if user specifies five nodes, it is a floating body case. If user specifies six nodes, it is a body-contacted case. Finally, if user specifies seven nodes, it is a body-contacted case with an accessible internal body node. The temperature node is useful for thermal coupling simulation.

### A.3. Notes on Debugging

The instance parameter <DEBUG> allows users to turn on debugging information selectively. Internal parameters (e.g. par) for an instance (e.g. m1) can be plotted by this command:

```
plot m1#par
```

## Appendix A: Model Instance Syntax

---

By default, <DEBUG> is set to zero and two internal parameters will be available for plotting:

#body	$V_b$ value iterated by SPICE
#temp	Device temperature with self-heating mode turned on

If <DEBUG> is set to one or minus one, more internal parameters are available for plotting. This serves debugging purposes when there is a convergence problem. This can also help the user to understand the model more. For <DEBUG> set to minus one, there will be charge calculation even if the user is running DC simulation. Here is the list of internal parameters:

#Vbs	Real $V_{bs}$ value used by the IV calculation
#Vgsteff	Effective gate-overdrive voltage
#Vth	Threshold voltage
#Ids	MOS drain current
#Ic	BJT current
#Ibs	Body to source diode current
#Ibd	Body to drain diode current
#Iii	Impact ionization current
#Igidl	GIDL current
#Itun	Tunneling current
#Ibp	Body contact current
#Gds	Output conductance
#Gm	Transconductance
#Gmb	Drain current derivative wrt $V_{bs}$

These parameters are valid only if charge computation is required

#Cbb	Body charge derivative wrt $V_{bs}$
#Cbd	Body charge derivative wrt $V_{ds}$
#Cbe	Body charge derivative wrt $V_{es}$
#Cbg	Body charge derivative wrt $V_{gs}$
#Qbody	Total body charge

## Appendix A: Model Instance Syntax

---

#Qgate	Gate charge
#Qac0	Accumulation charge
#Qsub	Bulk charge
#Qsub0	Bulk charge at zero drain bias
#Qbf	Channel depletion charge
#Qjd	Parasitic drain junction charge
#Qjs	Parasitic source junction charge

## Appendix B: Model Parameter List

---

### Appendix B: Model Parameter List

All model parameters additional to BSIM3v3/BSIM4 will be shown with bold cases.

#### B.1. BSIMSOI Model Control Parameters

Symbol used in equation	Symbol used in SPICE	Description	Unit	Default	Notes (below the table)
None	level	Level 10 for BSIMSOI4.1	-	10	-
<i>SoiMod</i>	soiMod	SOI model selector (instance) SoiMod=0: BSIMPD SoiMod=1: unified model for PD&FD. SoiMod=2: ideal FD. SoiMod=3: auto selection by BSIMSOI	-	0	
<i>Shmod</i>	shMod	Flag for self-heating 0 - no self-heating, 1 - self-heating	-	0	
<i>Mobmod</i>	mobmod	Mobility model selector	-	1	-
<i>Capmod</i>	capmod	Flag for the short channel capacitance model	-	2	
<i>Noimod</i>	noimod	Flag for Noise model	-	1	-
<i>IgcMod</i>	IgcMod	Gate-to-channel tunneling current model selector	-	0	
<i>IgbMod</i>	IgbMod	Gate-to-body tunneling current model selector	-	0	
<i>RdsMod</i>	rdsMod	Bias-dependent source/drain resistance model selector	-	0	
<i>RgateMod</i>	rgateMod	Flag for gate resistance model	-	0	-
<i>RbodyMod</i>	rbodyMod	Flag for body resistance model	-	0	-

## Appendix B: Model Parameter List

<i>FnoiMod</i>	fnoiMod	Flicker noise model selector	-	1	
<i>TnoiMod</i>	TnoiMod	Thermal noise model selector	-	0	
<i>MtrlMod</i>	mtrlMod	New material model selector	-	0	
<i>VgstcvMod</i>	VgstcvMod	VgsteffCV model selector	-	0	
<i>IiiMod</i>	IiiMod	Impact ionization current model selector	-	0	
<i>gidlMod</i>	gidlMod	New GIDL/GISL model selector	-	0	
<i>fdMod</i>	fdMod	New $\Delta V_{bi}$ model selector	-	0	

### B.2. Process Parameters

Symbol used in equation	Symbol used in SPICE	Description	Unit	Default	Notes (below the table)
$t_{si}$	Tsi	Silicon film thickness	m	$10^{-7}$	-
$t_{box}$	Tbox	Buried oxide thickness	m	$3 \times 10^{-7}$	-
$t_{ox}$	tox	Gate oxide thickness	m	$1 \times 10^{-8}$	-
$Toxm$	toxm	Gate oxide thickness used in extraction	m	tox	
$X_j$	Xj	S/D junction depth	m	Tsi	-
$n_{ch}$	Nch	Channel doping concentration	$1/\text{cm}^3$	$1.7 \times 10^{17}$	-
$n_{sub}$	Nsub	Substrate doping concentration	$1/\text{cm}^3$	$6 \times 10^{16}$	-
$N_{gate}$	ngate	poly gate doping concentration	$1/\text{cm}^3$	0	-
$E_{ot}$	eot	Effective SiO <sub>2</sub> thickness	nm	10	
$L_{effeot}$	leffeot	Effective length for extraction of EOT	um	1	-
$W_{effeot}$	weffeot	Effective width for extraction of EOT	um	10	-
$Tempeot$	tempeot	Temperature for extraction of EOT	K	300.15	-

Note: Leffeot, Weffeot, Tempeot and Vddeot are the parameters in EOT extraction and used in Toxp calculation (i.e., Eq. (10.6)).



## Appendix B: Model Parameter List

### B.3. DC Parameters

Symbol used in equation	Symbol used in SPICE	Description	Unit	Default	Notes (below the table)
$V_{th0}$	vth0	Threshold voltage @ $V_{bs}=0$ for long and wide device	-	0.7	-
$K_1$	k1	First order body effect coefficient	$V^{1/2}$	0.6	-
$K_{1w1}$	k1w1	First body effect width dependent parameter	m	0	-
$K_{1w2}$	k1w2	Second body effect width dependent parameter	m	0	-
$K_2$	k2	Second order body effect coefficient	-	0	-
$K_3$	k3	Narrow width coefficient	-	0	-
$K_{3b}$	k3b	Body effect coefficient of k3	1/V	0	-
$K_{b1}$	Kb1	Backgate body charge coefficient	-	1	-
$W_0$	w0	Narrow width parameter	m	0	-
$L_{pe0}$	LPE0/ NLX	Lateral non-uniform doping parameter	m	1.74e-7	If Lpe0 not given, lpe0=nlx if nlx given,; Else take the default Lpe0 was called nlx in BSIMSOI3
$L_{peb}$	LPEB	Lateral non-uniform doping effect on K1	m	0.0	-
$D_{vt0}$	dvt0	first coefficient of short-channel effect on Vth	-	2.2	-
$D_{vt1}$	dvt1	Second coefficient of short-channel effect on Vth	-	0.53	-
$D_{vt2}$	dvt2	Body-bias coefficient of short-channel effect on Vth	1/V	-0.032	-
$D_{vt0w}$	dvt0w	first coefficient of narrow width effect on Vth for small channel length	-	0	-
$D_{vt1w}$	dvt1w	Second coefficient of narrow width	-	5.3e6	-

## Appendix B: Model Parameter List

		effect on V <sub>th</sub> for small channel length			
$D_{vt2w}$	dvt2w	Body-bias coefficient of narrow width effect on V <sub>th</sub> for small channel length	1/V	-0.032	-
$\mu_0$	u0	Mobility at Temp = T <sub>nom</sub> NMOSFET PMOSFET	cm <sup>2</sup> /( V-sec)	670 250	-
$U_a$	ua	First-order mobility degradation coefficient	m/V	2.25e-9	-
$U_b$	ub	Second-order mobility degradation coefficient	(m/V) 2	5.9e-19	-
$U_c$	uc	Body-effect of mobility degradation coefficient	1/V	-.0465	-
$U_d$	ud	Coulomb scattering factor of mobility	-	0	
$U_{cs}$	ucs	Mobility exponent factor in mobMod=4	-	0	
$U_e$	eu	Mobility exponent factor in mobMod=4	-	0	
$v_{sat}$	vsat	Saturation velocity at Temp=T <sub>nom</sub>	m/sec	8e4	-
$A_0$	a0	Bulk charge effect coefficient for channel length	-	1.0	-
$A_{gs}$	ags	Gate bias coefficient of A <sub>bulk</sub>	1/V	0.0	-
$B_0$	b0	Bulk charge effect coefficient for channel width	m	0.0	-
$B_1$	b1	Bulk charge effect width offset	m	0.0	-
$Keta$	keta	Body-bias coefficient of bulk charge effect	V <sup>-1</sup>	0	-
$Ketas$	Ketas	Surface potential adjustment for bulk charge effect	V	0	-
$A_1$	A1	First non-saturation effect parameter	1/V	0.0	-
$A_2$	A2	Second non-saturation effect parameter	0	1.0	-
$R_{dsw}$	rdsw	Parasitic resistance per unit width	Ω-	100	-

## Appendix B: Model Parameter List

			$\mu\text{m}^{W_r}$		
<i>Prwb</i>	prwb	Body effect coefficient of R <sub>dsw</sub>	1/V	0	-
<i>Prwg</i>	prwg	Gate bias effect coefficient of R <sub>dsw</sub>	1/V <sup>1/2</sup>	0	-
<i>Wr</i>	wr	Width offset from W <sub>eff</sub> for R <sub>ds</sub> calculation	-	1	-
<i>Nfactor</i>	nfactor	Subthreshold swing factor	-	1	-
<i>Wint</i>	wint	Width offset fitting parameter from I-V without bias	m	0.0	-
<i>Lint</i>	lint	Length offset fitting parameter from I-V without bias	m	0.0	-
<i>DWg</i>	dwg	Coefficient of W <sub>eff</sub> 's gate dependence	m/V	0.0	
<i>DWb</i>	dwb	Coefficient of W <sub>eff</sub> 's substrate body bias dependence	m/V <sup>1/2</sup>	0.0	
<i>DWbc</i>	Dwbc	Width offset for body contact isolation edge	m	0.0	
<i>V<sub>off</sub></i>	voff	Offset voltage in the subthreshold region for large W and L	V	-0.08	-
<i>Eta0</i>	eta0	DIBL coefficient in subthreshold region	-	0.08	-
<i>Etab</i>	etab	Body-bias coefficient for the subthreshold DIBL effect	1/V	-0.07	-
<i>D<sub>sub</sub></i>	dsub	DIBL coefficient exponent	-	0.56	-
<i>C<sub>it</sub></i>	cit	Interface trap capacitance	F/m <sup>2</sup>	0.0	-
<i>C<sub>dsc</sub></i>	cdsc	Drain/Source to channel coupling capacitance	F/m <sup>2</sup>	2.4e-4	-
<i>C<sub>dscb</sub></i>	cdscb	Body-bias sensitivity of C <sub>dsc</sub>	F/m <sup>2</sup>	0	-
<i>C<sub>dscd</sub></i>	cdscd	Drain-bias sensitivity of C <sub>dsc</sub>	F/m <sup>2</sup>	0	-
<i>P<sub>clm</sub></i>	pclm	Channel length modulation parameter	-	1.3	-
<i>P<sub>dibl1</sub></i>	pdibl1	First output resistance DIBL effect correction parameter	-	.39	-

## Appendix B: Model Parameter List

$P_{dibl2}$	pdibl2	Second output resistance DIBL effect correction parameter	-	0.086	-
$D_{rout}$	drouT	L dependence coefficient of the DIBL correction parameter in Rout	-	0.56	-
$P_{vag}$	pvag	Gate dependence of Early voltage	-	0.0	-
$\delta$	delta	Effective $V_{ds}$ parameter	-	0.01	-
$\alpha_0$	alpha0	The first parameter of impact ionization current	m/V	0.0	-
$F_{bjtii}$	fbjtii	Fraction of bipolar current affecting the impact ionization	-	0.0	-
$\beta_0$	beta0	First $V_{ds}$ dependent parameter of impact ionization current	$V^{-1}$	0	-
$\beta_1$	beta1	Second $V_{ds}$ dependent parameter of impact ionization current	-	0	-
$\beta_2$	beta2	Third $V_{ds}$ dependent parameter of impact ionization current	V	0.1	-
$V_{dsatii0}$	vdsatii0	Nominal drain saturation voltage at threshold for impact ionization current	V	0.9	-
$T_{ii}$	tii	Temperature dependent parameter for impact ionization current	-	0	-
$L_{ii}$	lii	Channel length dependent parameter at threshold for impact ionization current	-	0	-
$E_{satii}$	esatii	Saturation channel electric field for impact ionization current	V/m	1e7	-
$S_{ii0}$	sii0	First $V_{gs}$ dependent parameter for impact ionization current	$V^{-1}$	0.5	-
$S_{ii1}$	sii1	Second $V_{gs}$ dependent parameter for impact ionization current	$V^{-1}$	0.1	-
$S_{ii2}$	sii2	Third $V_{gs}$ dependent parameter for impact ionization current	-	0	-

## Appendix B: Model Parameter List

$S_{iid}$	siid	$V_{ds}$ dependent parameter of drain saturation voltage for impact ionization current	$V^{-1}$	0	-
$Abjtii$	abjtii	Exponent factor for avalanche current	$V^{-1}$	0	
$Cbjtii$	cbjtii	Length scaling parameter for II BJT part	m	0	
$Ebjtii$	ebjtii	Impact ionization parameter for BJT part	-	0	
$Mbjtii$	mbjtii	Internal B-C grading coefficient	-	0.4	
$Vbci$	vbc	Internal B-C built-in potential	V	0	
$A_{gidl}$	Agidl	Pre-exponential GIDL constant	$\Omega^{-1}$	0.0	-
$B_{gidl}$	Bgidl	GIDL exponential coefficient	V/m	2.3e9	-
$C_{gidl}$	Cgidl	Parameter for body bias effect on GIDL	$V^3$	0.5	
$E_{gidl}$	Egidl/ Ngidl	Fitting parameter for band bending for GIDL	V	1.2	If Egidl not given, Egidl=Ngidl if Ngidl given, Else take the default Egidl was called Ngidl in BSIMSOI3
$A_{gisl}$	Agisl	Pre-exponential GISL constant	$\Omega^{-1}$	0.0	-
$B_{gisl}$	Bgisl	GISL exponential coefficient	V/m	2.3e9	-
$C_{gisl}$	Cgisl	Parameter for body bias effect on GISL	$V^3$	0.5	
$E_{gisl}$	Egisl	Fitting parameter for band bending for GISL	V	1.2	
$R_{gidl}$	rgidl	$V_{gs}$ -dependent parameter for GIDL when gidlMod = 1	-	1.0	
$K_{gidl}$	kgidl	$V_{ds}$ -dependent parameter for GIDL when gidlMod = 1	V	0.0	
$F_{gidl}$	fgidl	$V_{ds}$ -dependent parameter for GIDL when gidlMod = 1			

## Appendix B: Model Parameter List

<i>Rgisl</i>	rgisl	V <sub>gs</sub> -dependent parameter for GISL when gidlMod = 1	-	1.0	
<i>Kgisl</i>	kgisl	V <sub>bs</sub> -dependent parameter for GISL when gidlMod = 1	V	0.0	
<i>Fgisl</i>	fgisl	V <sub>bs</sub> -dependent parameter for GISL when gildMod = 1	V	0.0	
<i>n<sub>diodes</sub></i>	Ndiode	Diode non-ideality factor for source	-	1.0	-
<i>n<sub>diode</sub></i>	Ndiode	Diode non-ideality factor for drain	-	Default to its source value	-
<i>n<sub>recf0s</sub></i>	Nrecf0	Recombination non-ideality factor at forward bias for source	-	2.0	-
<i>n<sub>recf0d</sub></i>	Nrecf0d	Recombination non-ideality factor at forward bias for drain	-	Default to its source value	-
<i>n<sub>recr0s</sub></i>	Nrecr0	Recombination non-ideality factor at reversed bias for source	-	10	-
<i>n<sub>recr0d</sub></i>	Nrecr0d	Recombination non-ideality factor at reversed bias for drain	-	Default to its source value	-
<i>i<sub>sbjt</sub></i>	Isbjt	BJT injection saturation current	A/m <sup>2</sup>	1e-6	-
<i>I<sub>dbjt</sub></i>	Idbjt	BJT injection saturation current	A/m <sup>2</sup>	1e-6	-
<i>i<sub>sdif</sub></i>	Isdif	Body to source/drain injection saturation current	A/m <sup>2</sup>	1e-7	-
<i>I<sub>ddif</sub></i>	Iddif	Body to source/drain injection saturation current	A/m <sup>2</sup>	1e-7	-
<i>i<sub>srec</sub></i>	Isrec	Recombination in depletion saturation	A/m <sup>2</sup>	1e-5	-

## Appendix B: Model Parameter List

		current			
$I_{drec}$	Idrec	Recombination in depletion saturation current	A/m <sup>2</sup>	1e-5	-
$i_{stun}$	Istun	Reverse tunneling saturation current	A/m <sup>2</sup>	0.0	-
$I_{dtun}$	Idtun	Reverse tunneling saturation current	A/m <sup>2</sup>	0.0	-
$L_n$	Ln	Electron/hole diffusion length	m	2e-6	-
$V_{rec0s}$	Vrec0	Voltage dependent parameter for recombination current for source	V	0	-
$V_{rec0d}$	Vrec0d	Voltage dependent parameter for recombination current for drain	V	Default to its source value	-
$V_{tun0s}$	Vtun0	Voltage dependent parameter for tunneling current for source	V	0	-
$V_{tun0d}$	Vtun0d	Voltage dependent parameter for tunneling current for drain	V	Default to its source value	-
$N_{bjt}$	Nbjt	Power coefficient of channel length dependency for bipolar current	-	1	-
$L_{bjt0}$	Lbjt0	Reference channel length for bipolar current	m	0.20e-6	-
$V_{abjt}$	Vabjt	Early voltage for bipolar current	V	10	-
$A_{ely}$	Aely	Channel length dependency of early voltage for bipolar current	V/m	0	-
$A_{hli}$	Ahli	High level injection parameter for bipolar current for source	-	0	-
$A_{hli}$	Ahli	High level injection parameter for bipolar current for drain	-	Default to its source	-

## Appendix B: Model Parameter List

				value	
<i>Rbody</i>	Rbody	Intrinsic body contact sheet resistance	ohm/s quare	0.0	-
<i>Rbsh</i>	Rbsh	Extrinsic body contact sheet resistance	ohm/s quare	0.0	-
<i>Rsh</i>	rsh	Source drain sheet resistance in ohm per square	ohm/s quare	0.0	-
<i>Rhalo</i>	rhalo	Body halo sheet resistance	ohm/ m	1e15	-
<i>Rsw</i>	Rsw	Zero bias lightly-doped source resistance per unit width for RDSMOD=1	Ohm(u m) <sup>WR</sup>	50	
<i>Rdw</i>	Rdw	Zero bias lightly-doped drain resistance per unit width for RDSMOD=1	Ohm(u m) <sup>WR</sup>	50	
<i>Rswmin</i>	Rswmin	Lightly-doped source resistance per unit width at high Vgs and zero Vbs for RDSMOD=1	Ohm(u m) <sup>WR</sup>	0	
<i>Rdwmin</i>	Rdwmin	Lightly-doped source resistance per unit width at high Vgs and zero Vbs for RDSMOD=1	Ohm(u m) <sup>WR</sup>	0	
<i>Dvtp0</i>	Dvtp0	First parameter for Vth shift due to p ocket	m	0.0	
<i>Dvtp1</i>	Dvtp1	Second parameter for Vth shift due to p ocket	v <sup>-1</sup>	0.0	
<i>Dvtp2</i>	Dvtp2	Third parameter for Vth shift due to pocket	v <sup>-1</sup>	0.0	
<i>Dvtp3</i>	Dvtp3	Forth parameter for Vth shift due to pocket	v <sup>-1</sup>	0.0	
<i>Dvtp4</i>	Dvtp4	Fifth parameter for Vth shift due to pocket	v <sup>-1</sup>	0.0	
<i>Pdits</i>	Pdits	Coefficient for drain-induced Vth shifts	v <sup>-1</sup>	1e-20	
<i>Pditsl</i>	Pditsl	Length dependence of drain-induced Vt h shifts	m <sup>-1</sup>	0	
<i>Pditsd</i>	Pditsd	Vds dependence of drain-induced Vth shifts	v <sup>-1</sup>	0	
<i>Fprout</i>	Fprout	Effect of pocket implant on rout degradation	V/m <sup>0.5</sup>	0.0	



## Appendix B: Model Parameter List

<i>Minv</i>	Minv	Vgsteff fitting parameter for moderate inversion		0.0	
-------------	------	--	--	-----	--

### B.4. Gate-to-body tunneling parameters

#### B.4. Gate-to-body tunneling parameters

Symbol used in equation	Symbol used in SPICE	Description	Unit	Default
<i>IgMod</i>	igMod	Gate current model selector	-	0
<i>Toxqm</i>	toxqm	Oxide thickness for $I_{gb}$ calculation	m	Tox
<i>Ntox</i>	ntox	Power term of gate current	-	1
<i>Toxref</i>	toxref	Target oxide thickness	m	2.5e-9
$\phi_g$	ebg	Effective bandgap in gate current calculation	V	1.2
$\alpha_{gb1}$	alphaGB1	First $V_{ox}$ dependent parameter for gate current in inversion	1/V	.35
$\beta_{gb1}$	betaGB1	Second $V_{ox}$ dependent parameter for gate current in inversion	1/V <sup>2</sup>	.03
$V_{gb1}$	vgb1	Third $V_{ox}$ dependent parameter for gate current in inversion	V	300
$V_{EVB}$	vevb	Vaux parameter for valence band electron tunneling	-	0.075
$\alpha_{gb2}$	alphaGB2	First $V_{ox}$ dependent parameter for gate current in accumulation	1/V	.43
$\beta_{gb2}$	betaGB2	Second $V_{ox}$ dependent parameter for gate current in accumulation	1/V <sup>2</sup>	.05
$V_{gb2}$	vgb2	Third $V_{ox}$ dependent parameter for gate current in accumulation	V	17
$V_{ECB}$	vecb	Vaux parameter for conduction band electron tunneling	-	.026
<i>AIGBCP2</i>	aigbcp2	First $V_{gp}$ dependent parameter for gate current in accumulation in AGBCP2 region	1/V <sup>2</sup>	0.043
<i>BIGBCP2</i>	bigbcp2	Second $V_{gp}$ dependent parameter for gate current in accumulation in AGBCP2 region	1/V <sup>2</sup>	0.0054
<i>CIGBCP2</i>	cigbcp2	Third $V_{gp}$ dependent parameter for gate current in accumulation in AGBCP2 region	1/V <sup>2</sup>	0.0075

## Appendix B: Model Parameter List

### B.5. AC and Capacitance Parameters

Symbol used in equation	Symbol used in SPICE	Description	Unit	Default	Notes (below the table)
<i>Xpart</i>	xpart	Charge partitioning rate flag	-	0	
<i>CGS0</i>	cgso	Non LDD region source-gate overlap capacitance per channel length	F/m	calculated	<b>nC-1</b>
<i>CGD0</i>	cgdo	Non LDD region drain-gate overlap capacitance per channel length	F/m	calculated	<b>nC-2</b>
<i>CGEO</i>	cgeo	Gate substrate overlap capacitance per unit channel length	F/m	0.0	-
<i>Cjswgs</i>	cjswg	Source (gate side) sidewall junction capacitance per unit width (normalized to 100nm $T_{si}$ )	F/m <sup>2</sup>	1e-10	-
<i>Cjswgd</i>	cjswgd	Drain (gate side) sidewall junction capacitance per unit width (normalized to 100nm $T_{si}$ )	F/m <sup>2</sup>	Default to its source value	-
<i>Pbswgs</i>	pbswg	Source (gate side) sidewall junction capacitance built in potential	V	.7	-
<i>Pbswgd</i>	pbswgd	Drain (gate side) sidewall junction capacitance built in potential	V	Default to its source value	-
<i>Mjswgs</i>	mjswg	Source (gate side) sidewall junction capacitance grading coefficient	V	0.5	-
<i>Mjswgd</i>	mjswgd	Drain (gate side) sidewall junction capacitance grading coefficient	V	Default to its	-

## Appendix B: Model Parameter List

				source value	
$t_t$	tt	Diffusion capacitance transit time coefficient	second	1e-12	-
$N_{dif}$	Ndif	Power coefficient of channel length dependency for diffusion capacitance	-	-1	-
$L_{dif0}$	Ldif0	Channel-length dependency coefficient of diffusion cap.	-	1	-
$V_{sdfb}$	vsdfb	Source/drain bottom diffusion capacitance flatband voltage	V	calculated	nC-3
$V_{sdth}$	vsdth	Source/drain bottom diffusion capacitance threshold voltage	V	calculated	nC-4
$C_{sdmin}$	csdmin	Source/drain bottom diffusion minimum capacitance	V	calculated	nC-5
$A_{sd}$	asd	Source/drain bottom diffusion smoothing parameter	-	0.3	-
$C_{sdesw}$	csdesw	Source/drain sidewall fringing capacitance per unit length	F/m	0.0	-
$CGSl$	cgsl	Light doped source-gate region overlap capacitance	F/m	0.0	-
$CGDl$	cgdl	Light doped drain-gate region overlap capacitance	F/m	0.0	-
$CKAPPA$	ckappa	Coefficient for lightly doped region overlap capacitance fringing field capacitance	F/m	0.6	-
$C_f$	cf	Gate to source/drain fringing field capacitance	F/m	calculated	<b>nC-6</b>
$CLC$	clc	Constant term for the short channel model	m	$0.1 \times 10^{-7}$	-
$CLE$	cle	Exponential term for the short channel model	none	0.0	-

## Appendix B: Model Parameter List

<i>DLC</i>	dlc	Length offset fitting parameter for gate charge	m	lint	-
<i>DLCB</i>	dlcb	Length offset fitting parameter for body charge	m	0	-
<i>DLBG</i>	dlbg	Length offset fitting parameter for backgate charge	m	0.0	-
<i>DWC</i>	dwc	Width offset fitting parameter from C-V	m	wint	-
<i>DelVt</i>	delvt	Threshold voltage adjust for C-V	V	0.0	-
<i>F<sub>body</sub></i>	fbody	Scaling factor for body charge	-	1.0	-
<i>acde</i>	acde	Exponential coefficient for charge thickness in capMod=3 for accumulation and depletion regions.	m/V	1.0	-
<i>moin</i>	moin	Coefficient for the gate-bias dependent surface potential.	V <sup>1/2</sup>	15.0	-

### B.6. Temperature Parameters

Symbol used in equation	Symbol used in SPICE	Description	Unit	Default	Note
<i>Tnom</i>	tnom	Temperature at which parameters are expected	°C	27	-
<i>μte</i>	ute	Mobility temperature exponent	none	-1.5	-
<i>Kt1</i>	kt1	Temperature coefficient for threshold voltage	V	-0.11	-
<i>Kt11</i>	kt11	Channel length dependence of the temperature coefficient for threshold voltage	V*m	0.0	
<i>Kt2</i>	kt2	Body-bias coefficient of the Vth temperature effect	none	0.022	-

## Appendix B: Model Parameter List

<i>Ua1</i>	ua1	Temperature coefficient for $U_a$	m/V	4.31e-9	-
<i>Ub2</i>	ub1	Temperature coefficient for $U_b$	$(m/V)^2$	-7.61e-18	-
<i>Uc1</i>	uc1	Temperature coefficient for $U_c$	1/V	-0.056	<b>nT-1</b>
<i>At</i>	at	Temperature coefficient for saturation velocity	m/sec	3.3e4	-
<i>Tcijswgs</i>	tcjswg	Temperature coefficient of $C_{jswgs}$	1/K	0	-
<i>Tpbswgs</i>	tpbswg	Temperature coefficient of $P_{bswgs}$	V/K	0	-
<i>Tcijswgd</i>	tcjswgd	Temperature coefficient of $C_{jswgd}$	1/K	Default to its source value	-
<i>Tpbswgd</i>	tpbswgd	Temperature coefficient of $P_{bswgd}$	V/K	Default to its source value	-
<i>Cth0</i>	cth0	Normalized thermal capacity	$(W \cdot sec) / m^\circ C$	1e-5	-
<i>Prt</i>	prt	Temperature coefficient for $R_{dsw}$	$\Omega \cdot \mu m$	0	-
<i>Rth0</i>	rth0	Normalized thermal resistance	$m^\circ C / W$	0	-
<i>Ntref</i>	Ntref	Temperature coefficient for $N_{ref}$	-	0	-
<i>Ntrecl</i>	Ntrecl	Temperature coefficient for $N_{recl}$	-	0	-
<i>Xbjt</i>	xbjt	Power dependence of $j_{bjt}$ on temperature	-	1	-
<i>Xdifs</i>	xdifs	Power dependence of $j_{difs}$ on temperature	-	$X_{bjt}$	-
<i>Xrecl</i>	xrecl	Power dependence of $j_{recl}$ on temperature	-	1	-
<i>Xtuns</i>	xtuns	Power dependence of $j_{tuns}$ on temperature	-	0	-
<i>Xdifd</i>	xdifd	Power dependence of $j_{difd}$ on temperature	-	$X_{bjt}$	-
<i>Xrecl</i>	xrecl	Power dependence of $j_{recl}$ on temperature	-	1	-
<i>Xtund</i>	xtund	Power dependence of $j_{tund}$ on temperature	-	0	-
<i>Wth0</i>	Wth0	Minimum width for thermal resistance calculation	m	0	-
<i>Tvbc1</i>	tvbc1	Temperature coefficient for $V_{bc1}$	-	0	-

## Appendix B: Model Parameter List

### B.7. BSIMSOI Built-In Potential Lowering ( $\Delta V_{bi}$ ) Model Parameters

Symbol used in equation	Symbol used in SPICE	Description	Unit	Default
$SoiMod$	soiMod	SOI model selector. SoiMod=0: BSIMPD. SoiMod=1: unified model for PD&FD. SoiMod=2: ideal FD. SoiMod=3: auto selection by BSIMSOI	-	0
$V_{nonideal}$	vbsa	Offset voltage due to non-idealities	V	0
$N_{OFF,FD}$	nofffd	Smoothing parameter in FD module	-	1
$V_{OFF,FD}$	vofffd	Smoothing parameter in FD module	V	0
$K_{1b}$	K1b	First backgate body effect parameter	-	1
$K_{2b}$	K2b	Second backgate body effect parameter for short channel effect	-	0
$D_{k2b}$	dk2b	Third backgate body effect parameter for short channel effect	-	0
$D_{vbd0}$	dvbd0	First short channel effect parameter in FD module	-	0
$D_{vbd1}$	dvbd1	Second short channel effect parameter in FD module	-	0
$MoinFD$	moinfd	Gate bias dependence coefficient of surface potential in FD module	-	1e3
$V_{bs0pd}$	vbs0pd	Upper bound of built-in potential lowering for BSIMPD operation	V	0.0
$V_{bs0fd}$	vbs0fd	Lowering bound of built-in potential lowering for ideal FD operation	V	0.5

## Appendix B: Model Parameter List

### B.8. BSIMSOI RF Model Parameters

<b>RgateMod</b>	rgateMod	Gate resistance model selector rgateMod = 0 No gate resistance rgateMod = 1 Constant gate resistance rgateMod = 2 Rii model with variable resistance rgateMod = 3 Rii model with two nodes	-	0
<b>RbodyMod</b>	RbodyMod	RbodyMod=0 No body resistance model RbodyMod=1 Two-resistor body resistance model	-	0
<b>Rshg</b>	Rshg	Gate electrode sheet resistance	Ohm/square	0.1
<b>XRCRG1</b>	xrcrg1	Parameter for distributed channel-resistance effect for intrinsic input resistance	-	12.0
<b>XRCRG2</b>	xrcrg2	Parameter to account for the excess channel diffusion resistance for intrinsic input resistance	-	1.0
<b>NGCON</b>	ngcon	Number of gate contacts	-	1
<b>XGW</b>	xgw	Distance from the gate contact to the channel edge	m	0.0
<b>XGL</b>	xgl	Offset of the gate length due to variations in patterning	m	0.0
<b>RBSB</b>	rbsb	Resistance between sbNode and bNode	Ohm	50.0
<b>RBDB</b>	rbdb	Resistance between dbNode and bNode	Ohm	50.0
<b>GBMIN</b>	gbmin	Conductance parallel with RBSB/RBDB	mho	1e-12

## Appendix B: Model Parameter List

### B.9. BSIMSOI Noise Model Parameters

<b>FnoiMod</b>	fnoiMod	Flicker noise model selector	-	1
<b>TnoiMod</b>	TnoiMod	Thermal noise model selector	-	0
<b>NTNOI</b>	ntnoi	Noise factor for short-channel devices for TNOIMOD=0 or 2	-	1.0
<b>TNOIA</b>	Tnoia	Coefficient of channel length dependence of total channel thermal noise	-	1.5
<b>TNOIB</b>	Tnoib	Channel length dependence parameter for channel thermal noise partitioning	-	3.5
<b>RNOIA</b>	rnoia	Thermal noise parameter	-	0.577
<b>RNOIB</b>	rnoib	Thermal noise parameter	-	0.37
<b>W0FLK</b>	W0flk	Flicker noise width dependence parameter	-	-1
<b>BF</b>	bf	Flicker noise length dependence exponent	-	2.0

### B.10. BSIMSOI Stress Model Parameters

<b>SA</b> (instance parameter)	sa	Distance between OD edge to poly from one side	m	0.0
<b>SB</b> (instance parameter)	sb	Distance between OD edge to poly from another side	m	0.0
<b>SD</b> (instance parameter)	sd	Distance between neighbouring fingers	m	0.0
<b>SAREF</b>	saref	Reference distance between OD and edge to poly of one side	m	1e-6



## Appendix B: Model Parameter List

<b>SBREF</b>	sbref	Reference distance between OD and edge to poly of another side	m	1e-6
<b>WLOD</b>	Wlod	Width parameter for stress effect	M	0.0
<b>KU0</b>	Ku0	Mobility degradation/enhancement	M	0.0
<b>KVSAT</b>	Kvsat	Saturation velocity degradation/enhancement parameter for stress effect	M	0.0
<b>TKU0</b>	TKU0	Temperature coefficient of KU0		0.0
<b>LKU0</b>	LKU0	Length dependence of KU0		0.0
<b>WKU0</b>	WKU0	width dependence of KU0		0.0
<b>PKU0</b>	PKU0	Cross-term dependence of KU0		0.0
<b>LLODKU0</b>	LLODKU0	Length parameter for u0 stress effect		0.0
<b>WLODKU0</b>	WLODKU0	Width parameter for u0 stress effect		0.0
<b>KVTH0</b>	KVTH0	Threshold shift parameter for stress effect	Vm	0.0
<b>LKVTH0</b>	LKVTH0	Length dependence of KVHT0		0.0
<b>WKVTH0</b>	WKVTH0	Width dependence of KVHT0		0.0
<b>PKVTH0</b>	PKVTH0	Cross term dependence of KVHT0		0.0
<b>LLODVTH</b>	Llodvth	Length parameter for Vth stress effect		0.0
<b>WLODVT</b>	Wlodvth	Width parameter for Vth stress effect		0.0
<b>H</b>				
<b>STK2</b>	Stk2	K2 shift factor related to Vth0 change	M	0.0
<b>LODK2</b>	LODK2	K2 shift modification factor for stress effect		1.0
<b>STETA0</b>	Steta0	Eta0 shift factor related to vth0 change	M	0.0
<b>LODETA0</b>	Lodeta0	Eta0 shift modification factor for stress effect		1.0

### B.11. Model Parameter Notes

**nI-1.** BSIMPD supports *capmod*=2 and 3 only. *Capmod*=0 and 1 are not supported.

**nI-2.** In modern SOI technology, source/drain extension or LDD are commonly used. As a result, the source/drain junction depth ( $X_j$ ) can be different from the silicon

## Appendix B: Model Parameter List

---

film thickness ( $T_{si}$ ). By default, if  $X_j$  is not given, it is set to  $T_{si}$ .  $X_j$  is not allowed to be greater than  $T_{si}$ .

**nI-3.** BSIMPD refers substrate to the silicon below buried oxide, not the well region in BSIM3. It is used to calculate backgate flatband voltage ( $V_{fbb}$ ) and parameters related to source/drain diffusion bottom capacitance ( $V_{sdth}$ ,  $V_{sdfb}$ ,  $C_{sadmin}$ ). Positive  $n_{sub}$  means the same type of doping as the body and negative  $n_{sub}$  means opposite type of doping.

**nC-1.** If  $cgso$  is not given then it is calculated using:

if ( $dlc$  is given and is greater 0) then,

$$cgso = pl = (dlc * cox) - cgs1$$

if (the previously calculated  $cgso < 0$ ), then

$$cgso = 0$$

else  $cgso = 0.6 * T_{si} * cox$

**nC-2.**  $Cgdo$  is calculated in a way similar to  $Csdo$

**nC-3.** If ( $n_{sub}$  is positive)

$$V_{sdfb} = -\frac{kT}{q} \log\left(\frac{10^{20} \cdot n_{sub}}{n_i \cdot n_i}\right) - 0.3$$

else

$$V_{sdfb} = -\frac{kT}{q} \log\left(\frac{10^{20}}{n_{sub}}\right) + 0.3$$

**nC-4.** If ( $n_{sub}$  is positive)

$$\phi_{sd} = 2 \frac{kT}{q} \log\left(\frac{n_{sub}}{n_i}\right), \gamma_{sd} = \frac{5.753 \times 10^{-12} \sqrt{n_{sub}}}{C_{box}}$$

$$V_{sdth} = V_{sdfb} + \phi_{sd} + \gamma_{sd} \sqrt{\phi_{sd}}$$

else

$$\phi_{sd} = 2 \frac{kT}{q} \log\left(-\frac{n_{sub}}{n_i}\right), \gamma_{sd} = \frac{5.753 \times 10^{-12} \sqrt{-n_{sub}}}{C_{box}}$$

$$V_{sdth} = V_{sdfb} - \phi_{sd} - \gamma_{sd} \sqrt{\phi_{sd}}$$

## Appendix B: Model Parameter List

---

**nC-5.**  $X_{sddep} = \sqrt{\frac{2\varepsilon_{si}\phi_{sd}}{q|n_{sub} \cdot 10^6|}}$ ,  $C_{sddep} = \frac{\varepsilon_{si}}{X_{sddep}}$ ,  $C_{sd\ min} = \frac{C_{sddep}C_{box}}{C_{sddep} + C_{box}}$

**nC-6.** If cf is not given then it is calculated using

$$CF = \frac{2\varepsilon_{ox}}{\pi} \ln\left(1 + \frac{4 \times 10^{-7}}{T_{ox}}\right)$$

**nT-1.** For mobmod=1 and 2, the unit is m/V<sup>2</sup>. Default is -5.6E-11. For mobmod=3, unit is 1/V and default is -0.056.

## Appendix C: Equation List

### C1: Equation List for BSIMSOI Built-In Potential Lowering Calculation

If SoiMod=0 (default), the model equation is identical to BSIMPD equation.

If SoiMod=1 (unified model for PD&FD) or SoiMod=2 (ideal FD), the following equations (FD module) are added on top of BSIMPD.

*fdMod = 0*

$$\Delta V_{bi} = \frac{C_{Si}}{C_{Si} + C_{BOX}} \cdot \left( phi - \frac{qN_{ch}}{2\epsilon_{Si}} \cdot T_{Si}^2 + V_{nonideal} + \Delta V_{DIBL} \right) + \eta_e \frac{C_{BOX}}{C_{Si} + C_{BOX}} \cdot (V_{es} - V_{FBb})$$

$$\text{where } C_{Si} = \frac{\epsilon_{Si}}{T_{Si}}, C_{BOX} = \frac{\epsilon_{OX}}{T_{BOX}}, C_{OX} = \frac{\epsilon_{OX}}{T_{OX}}$$

$$\Delta V_{DIBL} = D_{vbd0} \left( \exp\left(-D_{vbd1} \frac{L_{eff}}{2l}\right) + 2 \exp\left(-D_{vbd1} \frac{L_{eff}}{l}\right) \right) \cdot (V_{bi} - 2\Phi_B)$$

$$\eta_e = K_{1b} - K_{2b} \cdot \left( \exp\left(-D_{k2b} \frac{L_{eff}}{2l}\right) + 2 \exp\left(-D_{k2b} \frac{L_{eff}}{l}\right) \right)$$

*fdMod = 1*

$$\Delta V_{bi} = \frac{C_{Si}}{C_{Si} + C_{BOX} + CDSBS} \cdot \left( \phi - \frac{qN_{ch} \cdot (1 + L_{pe0} / L_{eff})}{2\epsilon_{Si}} \cdot T_{Si}^2 + V_{nonideal} \right) + \frac{C_{BOX}}{C_{Si} + C_{BOX} + CDSBS} \cdot (V_{bGS} - V_{FBb}) + \frac{CDSBS}{C_{Si} + C_{BOX} + CDSBS} \cdot \Delta V_{SCE}$$

## Appendix C: Equation List

---

$$\Delta V_{SCE} = DVBD0 \cdot \left( \exp\left(-DVBD1 \frac{L_{eff}}{2l}\right) + 2 \exp\left(-DVBD1 \frac{L_{eff}}{l}\right) \right) \cdot (V_{ds} + VSCE)$$

$$phi = phi_{ON} - \frac{C_{OX}}{C_{OX} + (C_{Si}^{-1} + C_{BOX}^{-1})^{-1}} \cdot N_{OFF,FD} V_t \cdot \ln\left(1 + \exp\left(\frac{V_{th,FD} - V_{gs\_eff} - V_{OFF,FD}}{N_{OFF,FD} V_t}\right)\right)$$

$$phi_{ON} = 2\Phi_B + V_t \ln\left(1 + \frac{V_{gsteff,FD} (V_{gsteff,FD} + 2K1\sqrt{2\Phi_B})}{MoinFD \cdot K1 \cdot V_t^2}\right),$$

$$V_{gsteff,FD} = N_{OFF,FD} V_t \cdot \ln\left(1 + \exp\left(\frac{V_{gs\_eff} - V_{th,FD} - V_{OFF,FD}}{N_{OFF,FD} V_t}\right)\right)$$

Here Nch is the channel doping concentration. V<sub>FBb</sub> is the backgate flatband voltage.

V<sub>th,FD</sub> is the threshold voltage at V<sub>bs</sub>=V<sub>bs0</sub>(phi=2Φ<sub>B</sub>). V<sub>t</sub> is thermal voltage. K1 is the body effect coefficient.

If SoiMod=1, the lower bound of V<sub>bs</sub> (SPICE solution) is set to V<sub>bs0</sub>. If SoiMod=2, V<sub>bs</sub> is pinned at V<sub>bs0</sub>. Notice that there is no body node and body leakage/charge calculation in SoiMod=2.

The zero field body potential that will determine the transistor threshold voltage, V<sub>bsmos</sub>, is then calculated by

## Appendix C: Equation List

---

$$\begin{aligned} &\text{if } V_{bs} \leq V_{bs0} (T_{OX} \rightarrow \infty) \\ V_{bsmos} &= V_{bs} - \frac{C_{Si}}{2qN_{ch}T_{Si}} (V_{bs0} (T_{OX} \rightarrow \infty) - V_{bs})^2 \\ &\text{else} \\ V_{bsmos} &= V_{bs} \end{aligned}$$

The subsequent clamping of  $V_{bsmos}$  will use the same equation that utilized in BSIMPD.

If  $\text{SoiMod}=3$  is specified, BSIMSOI will select the operation mode for the user based on the estimated value of  $V_{bs0}$  at  $\text{phi}=2\Phi_B$  (bias independent),  $V_{bs0t}$ :

If  $V_{bs0t} > V_{bs0fd}$ , BSIMSOI will be in the ideal FD mode ( $\text{SoiMod}=2$ ).

If  $V_{bs0t} < V_{bs0pd}$ , BSIMSOI will be in the BSIMPD mode ( $\text{SoiMod}=0$ ).

Otherwise, BSIMSOI will be operated under  $\text{SoiMod}=1$ .

Notice that both  $V_{bs0fd}$  and  $V_{bs0pd}$  are model parameters.

## C2: Equation List for BSIMPD IV

### Body Voltages

$V_{bsh}$  is equal to the  $V_{bs}$  bounded between  $(V_{bsc}, \phi_{s1})$ .  $V_{bsh}$  is used in  $V_{th}$  and  $A_{bulk}$  calculation

$$T_1 = V_{bsc} + 0.5 \left[ V_{bs} - V_{bsc} - \delta + \sqrt{(V_{bs} - V_{bsc} - \delta)^2 - 4\delta V_{bsc}} \right], \quad V_{bsc} = -5V$$

$$V_{bsh} = \phi_{s1} - 0.5 \left[ \phi_{s1} - T_1 - \delta + \sqrt{(\phi_{s1} - T_1 - \delta)^2 + 4\delta T_1} \right], \quad \phi_{s1} = 1.5V$$

$V_{bsh}$  is further limited to  $0.95\phi_s$  to give  $V_{bseff}$ .

$$V_{bseff} = \phi_{s0} - 0.5 \left[ \phi_{s0} - V_{bsh} - \delta + \sqrt{(\phi_{s0} - V_{bsh} - \delta)^2 + 4\delta V_{bsh}} \right], \quad \phi_{s0} = 0.95\phi_s$$

### Effective Channel Length and Width

$$dW' = W_{int} + \frac{W_l}{L^{W_{in}}} + \frac{W_w}{W^{W_{wn}}} + \frac{W_{wl}}{L^{W_{in}} W^{W_{wn}}}$$

$$dW = dW' + dW_g V_{gsteff} + dW_b \left( \sqrt{\Phi_s - V_{bseff}} - \sqrt{\Phi_s} \right)$$

$$dL = L_{int} + \frac{L_l}{L^{L_{in}}} + \frac{L_w}{W^{L_{wn}}} + \frac{L_{wl}}{L^{L_{in}} W^{L_{wn}}}$$

$$L_{eff} = L_{drawn} - 2dL$$

$$W_{eff} = W_{drawn} - N_{bc} dW_{bc} - (2 - N_{bc}) dW$$

$$W_{eff}' = W_{drawn} - N_{bc} dW_{bc} - (2 - N_{bc}) dW'$$

$$W_{diod} = \frac{W_{eff}'}{N_{seg}} + P_{dbcp}$$

$$W_{dios} = \frac{W_{eff}'}{N_{seg}} + P_{sbcP}$$

### Threshold Voltage

## Appendix C: Equation List

$$\begin{aligned}
 V_{th} = & V_{th0} + (K_{1ox} \text{sqrtPhisExt} - K_{1eff} \sqrt{\Phi_s}) \sqrt{1 + \frac{LPEB}{L_{eff}}} - K_{2ox} V_{bseff} \\
 & + K_{1ox} \left( \sqrt{1 + \frac{LPE0}{L_{eff}}} - 1 \right) \sqrt{\Phi_s} + (K_3 + K_{3b} V_{bseff}) \frac{T_{ox}}{W'_{eff} + W_o} \Phi_s \\
 & - D_{VT0w} \left( \exp(-D_{VT1w} \frac{W'_{eff} L_{eff}}{2l_{tw}}) + 2 \exp(-D_{VT1w} \frac{W'_{eff} L_{eff}}{l_{tw}}) \right) (V_{bi} - \Phi_s) \\
 & - D_{VT0} \left( \exp(-D_{VT1} \frac{L_{eff}}{2l_t}) + 2 \exp(-D_{VT1} \frac{L_{eff}}{l_t}) \right) (V_{bi} - \Phi_s) \\
 & - \left( \exp(-D_{sub} \frac{L_{eff}}{2l_{to}}) + 2 \exp(-D_{sub} \frac{L_{eff}}{l_{to}}) \right) (E_{tao} + E_{tab} V_{bseff}) V_{ds} \\
 & - nV_t \cdot \ln \left( \frac{L_{eff}}{L_{eff} + DVTP0 \cdot (1 + e^{-DVTP1 \cdot V_{ds}})} \right) \\
 & - \frac{DVTP2}{L_{eff}^{DVTP3}} \cdot \tanh(DVTP4 \cdot V_{ds})
 \end{aligned}$$

Note: The last term ( $DVTP2$ ,  $DVTP3$  and  $DVTP4$ ) introduces the flexibility to capture DIBL variation in longer channel. Considering backward compatibility, the old term ( $DVTP1$  and  $DVTP2$ ) is kept.

$$l_t = \sqrt{\varepsilon_{si} X_{dep} / C_{ox}} (1 + D_{VT2} V_{bseff})$$

$$\text{sqrtPhisExt} = \sqrt{\phi_s - V_{bseff}} + s(V_{bsh} - V_{bseff}), \quad s = -\frac{1}{2\sqrt{\phi_s - \phi_{s0}}}$$

$$K_{1eff} = K_1 \left( 1 + \frac{K_{1w1}}{W'_{eff} + K_{1w2}} \right)$$

$$K_{1ox} = K_{1eff} \frac{TOX}{TOXM}$$

$$K_{2ox} = K_2 \frac{TOX}{TOXM}$$

$$l_{tw} = \sqrt{\varepsilon_{si} X_{dep} / C_{ox}} (1 + D_{VT2w} V_{bseff}) \quad l_{to} = \sqrt{\varepsilon_{si} X_{dep0} / C_{ox}}$$



## Appendix C: Equation List

$$X_{dep} = \sqrt{\frac{2\varepsilon_{si}(\Phi_s - V_{bseff})}{qN_{ch}}} \quad X_{dep0} = \sqrt{\frac{2\varepsilon_{si}\Phi_s}{qN_{ch}}}$$

$$V_{bi} = v_t \ln\left(\frac{N_{ch}N_{DS}}{n_i^2}\right)$$

### Poly depletion effect

$$\varepsilon_{ox}E_{ox} = \varepsilon_{si}E_{poly} = \sqrt{2q\varepsilon_{si}N_{gate}V_{poly}}$$

$$V_{poly} + \frac{1}{2}X_{poly}E_{poly} = \frac{qN_{gate}X_{poly}^2}{2\varepsilon_{si}}$$

$$V_{gs} - V_{FB} - \phi_s = V_{poly} + V_{ox}$$

$$a(V_{gs} - V_{FB} - \phi_s - V_{poly})^2 - V_{poly} = 0$$

$$a = \frac{\varepsilon_{ox}^2}{2q\varepsilon_{si}N_{gate}T_{ox}^2}$$

$$V_{gs\_eff} = V_{FB} + \phi_s + \frac{q\varepsilon_{si}N_{gate}T_{ox}^2}{\varepsilon_{ox}^2} \left[ \sqrt{1 + \frac{2\varepsilon_{ox}^2(V_{gs} - V_{FB} - \phi_s)}{q\varepsilon_{si}N_{gate}T_{ox}^2}} - 1 \right]$$

### Effective $V_{gst}$ for all region (with Polysilicon Depletion Effect)

$$V_{gsteff} = \frac{nv_t \ln\left[1 + \exp\left(\frac{m^*(V_{gs\_eff} - V_{th})}{nv_t}\right)\right]}{m^* + nC_{ox} \sqrt{\frac{2\Phi_s}{q\varepsilon_{si}N_{dep}}} \exp\left(-\frac{(1-m^*)(V_{gs\_eff} - V_{th}) - V_{off}}{nv_t}\right)}$$

$$m^* = 0.5 + \frac{\arctan(MINV)}{\pi}$$

$$n = 1 + N_{factor} \frac{\varepsilon_{si} / X_{dep}}{C_{ox}} + \frac{(C_{dsc} + C_{dscd}V_{ds} + C_{dscb}V_{bseff}) \left[ \exp(-D_{VT1} \frac{L_{eff}}{2l_t}) + 2 \exp(-D_{VT1} \frac{L_{eff}}{l_t}) \right]}{C_{ox}} + \frac{C_{it}}{C_{ox}}$$

## Appendix C: Equation List

### Effective Bulk Charge Factor

$$A_{bulk} = 1 + \left( \frac{K_{1ox} \cdot \sqrt{1 + LPEB / L_{eff}}}{2 \sqrt{(\phi_s + Ketas) - \frac{V_{bsh}}{1 + Keta \cdot V_{bsh}}}} \left( \frac{A_0 L_{eff}}{L_{eff} + 2 \sqrt{T_{st} X_{dep}}} \left( 1 - A_{gs} V_{gsteff} \left( \frac{L_{eff}}{L_{eff} + 2 \sqrt{T_{st} X_{dep}}} \right)^2 \right) + \frac{B_0}{W_{eff} + B_1} \right) \right)$$

$$A_{bulk0} = A_{bulk} (V_{gsteff} = 0)$$

### Mobility and Saturation Velocity

#### mtrlMod = 0

For Mobmod=1

$$\mu_{eff} = \frac{\mu_o}{1 + (U_a + U_c V_{bseff}) \left( \frac{V_{gsteff} + 2V_{th}}{T_{ox}} \right) + U_b \left( \frac{V_{gsteff} + 2V_{th}}{T_{ox}} \right)^2}$$

For Mobmod=2

$$\mu_{eff} = \frac{\mu_o}{1 + (U_a + U_c V_{bseff}) \left( \frac{V_{gsteff}}{T_{ox}} \right) + U_b \left( \frac{V_{gsteff}}{T_{ox}} \right)^2}$$

For Mobmod=3

$$\mu_{eff} = \frac{\mu_o}{1 + [U_a \left( \frac{V_{gstef} + 2V_{th}}{T_{ox}} \right) + U_b \left( \frac{V_{gsteff} + 2V_{th}}{T_{ox}} \right)^2] (1 + U_c V_{bseff})}$$

For Mobmod=4

$$\mu_{eff} = \frac{U0}{1 + (UA + UC \cdot V_{bseff}) \left[ \frac{V_{gsteff} + C_0 \cdot (VTH0 - VFB - \Phi_s)}{TOXE} \right]^{EU}} + \frac{UD}{[1 + V_{gsteff} / V_{gsteff, Vth}]^{UCS}}$$

$$V_{gsteff, Vth} = V_{gsteff} (V_{gse} = V_{th}, V_{ds} = V_{bs} = 0)$$

## Appendix C: Equation List

**mtrlMod = 1**

$$E_{eff} = \frac{V_{gsteff} + 2V_{th} - 2 \cdot BSIM4type \cdot (PHIG - EASUB - Eg / 2 + 0.45)}{EOT} \times \frac{3.9}{EPSRSUB}$$

For MobMod = 1

$$\mu_{eff} = \frac{\mu_o}{1 + (U_a + U_c V_{bseff}) E_{eff} + U_b E_{eff}^2}$$

For MobMod = 2

$$\mu_{eff} = \frac{\mu_o}{1 + (U_a + U_c V_{bseff}) \left( \frac{V_{gsteff} - U_d}{T_{ox}} \right) + U_b \left( \frac{V_{gsteff} - U_d}{T_{ox}} \right)^2}$$

$$U_d = 2 \cdot BSIM4type \cdot (PHIG - EASUB - Eg / 2 + 0.45)$$

For MobMod = 3

$$\mu_{eff} = \frac{\mu_o}{1 + [U_a E_{eff} + U_b E_{eff}^2] (1 + U_c V_{bseff})}$$

For MobMod = 4

$$\mu_{eff} = \frac{U0}{1 + (UA + UC \cdot V_{bseff}) \left[ \frac{V_{gsteff} + C_0 \cdot (VTH0 - VFB - \Phi_s)}{TOXE} \right]^{EU}} + \frac{UD}{[1 + V_{gsteff} / V_{gsteff,Vth}]^{UCS}}$$

$$V_{gsteff,Vth} = V_{gsteff} (V_{gse} = V_{th}, V_{ds} = V_{bs} = 0)$$

Drain Saturation Voltage

For  $R_{ds} > 0$  or  $\lambda \neq 1$ :

$$V_{dsat} = \frac{-b - \sqrt{b^2 - 4ac}}{2a}$$

$$a = A_{bulk}^2 W_{eff} v_{sat} C_{ox} R_{ds} + \left( \frac{1}{\lambda} - 1 \right) A_{bulk}$$

$$b = - \left[ (V_{gsteff} + 2v_t) \left( \frac{2}{\lambda} - 1 \right) + A_{bulk} E_{sat} L_{eff} + 3A_{bulk} (V_{gsteff} + 2v_t) W_{eff} v_{sat} C_{ox} R_{ds} \right]$$

## Appendix C: Equation List

$$c = (V_{gsteff} + 2v_t)E_{sat}L_{eff} + 2(V_{gsteff} + 2v_t)^2 W_{eff} v_{sat} C_{ox} R_{ds}$$

$$\lambda = A_1 V_{gsteff} + A_2$$

For  $R_{ds}=0$ ,  $\lambda=1$ :

$$V_{dsat} = \frac{E_{sat} L_{eff} (V_{gsteff} + 2v_t)}{A_{bulk} E_{sat} L_{eff} + (V_{gsteff} + 2v_t)}$$

$$E_{sat} = \frac{2v_{sat}}{\mu_{eff}}$$

$$V_{dseff}$$

$$V_{dseff} = V_{dsat} - \frac{1}{2} \left[ V_{dsat} - V_{ds} - \delta + \sqrt{(V_{dsat} - V_{ds} - \delta)^2 + 4\delta V_{dsat}} \right]$$

Drain current expression

$$I_{ds, MOSFET} = \frac{1}{N_{seg}} \frac{I_{ds0}(V_{dseff})}{1 + \frac{R_{ds} I_{dso}(V_{dseff})}{V_{dseff}}} \left( 1 + \frac{V_{ds} - V_{dseff}}{V_A} \right)$$

$$\beta = \mu_{eff} C_{ox} \frac{W_{eff}}{L_{eff}}$$

$$I_{dso} = \frac{\beta V_{gsteff} \left( 1 - A_{bulk} \frac{V_{dseff}}{2(V_{gsteff} + 2v_t)} \right) V_{dseff}}{1 + \frac{V_{dseff}}{E_{sat} L_{eff}}}$$

$$V_A = V_{Asat} + \left( 1 + \frac{P_{vag} V_{gsteff}}{E_{sat} L_{eff}} \right) \left( \frac{1}{V_{ACLM}} + \frac{1}{V_{ADIBLC}} \right)^{-1}$$

$$V_{ACLM} = \frac{A_{bulk} E_{sat} L_{eff} + V_{gsteff}}{P_{clm} A_{bulk} E_{sat} l_{itl}} (V_{ds} - V_{dseff})$$

$$V_{ADIBLC} = \frac{(V_{gsteff} + 2v_t)}{\theta_{roul} (1 + P_{DIBLCB} V_{bseff})} \left( 1 - \frac{A_{bulk} V_{dsat}}{A_{bulk} V_{dsat} + 2v_t} \right)$$

$$\theta_{roul} = P_{DIBLC1} \left[ \exp(-D_{ROUT} \frac{L_{eff}}{2l_{t0}}) + 2 \exp(-D_{ROUT} \frac{L_{eff}}{l_{t0}}) \right] + P_{DIBLC2}$$

## Appendix C: Equation List

$$V_{Asat} = \frac{E_{sat} L_{eff} + V_{dsat} + 2R_{ds} v_{sat} C_{ox} W_{eff} V_{gsteff} \left[1 - \frac{A_{bulk} V_{dsat}}{2(V_{gsteff} + 2v_t)}\right]}{2 / \lambda - 1 + R_{ds} v_{sat} C_{ox} W_{eff} A_{bulk}}$$

$$litl = \sqrt{\frac{\epsilon_{si} T_{ox} T_{Si}}{\epsilon_{ox}}}$$

### Drain/Source Resistance

- ***rdsMod* = 0** (Internal *Rds*(V))

$$R_{ds} = R_{dsw} \frac{1 + P_{rwg} V_{gsteff} + P_{rwb} \left(\sqrt{\phi_s - V_{bseff}} - \sqrt{\phi_s}\right)}{\left(10^6 W'_{eff}\right)^{Wr}}$$

- ***rdsMod* = 1** (External *Rd*(V) and *Rs*(V))

$$R_d(V) = \frac{RDWMIN + RDW \cdot \left[-PRWB \cdot V_{bd} + \frac{1}{1 + PRWG \cdot (V_{gd} - V_{fbsd})}\right]}{\left(1e6 \cdot W_{eff}\right)^{WR} \cdot NF}$$

$$R_s(V) = \frac{RSWMIN + RSW \cdot \left[-PRWB \cdot V_{bs} + \frac{1}{1 + PRWG \cdot (V_{gs} - V_{fbsd})}\right]}{\left(1e6 \cdot W_{eff}\right)^{WR} \cdot NF}$$

where  $V_{fbsd} = \frac{k_B T}{q} \ln\left(\frac{N_{gate}}{10^{20}}\right)$  for *NGATE* larger than 0, otherwise  $V_{fbsd} = 0$ .

### Impact Ionization Current

$$I_{ii} = \alpha_0 (I_{ds, MOSFET} + F_{biii} I_c) \exp\left(\frac{V_{diff}}{\beta_2 + \beta_1 V_{diff} + \beta_0 V_{diff}^2}\right)$$

$$V_{diff} = V_{ds} - V_{dsatii}$$

## Appendix C: Equation List

$$V_{dsatii} = VgsStep + \left[ V_{dsatii0} \left( 1 + T_{ii} \left( \frac{T}{T_{nom}} - 1 \right) \right) - \frac{L_{ii}}{L_{eff}} \right]$$

$$VgsStep = \left( \frac{E_{satii} L_{eff}}{1 + E_{satii} L_{eff}} \right) \left( \frac{1}{1 + S_{ii1} V_{gsteff}} + S_{ii2} \right) \left( \frac{S_{ii0} V_{gst}}{1 + S_{iid} V_{ds}} \right)$$

### Gate-Induced-Drain-Leakage (GIDL)

***gidlMod = 0***

$$I_{GIDL} = AGIDL \cdot W_{diod} \cdot Nf \cdot \frac{V_{ds} - V_{gse} - EGIDL + V_{fbsd}}{epsratio \cdot T_{oxe}} \cdot \exp \left( - \frac{epsratio \cdot T_{oxe} \cdot BGIDL}{V_{ds} - V_{gse} - EGIDL + V_{fbsd}} \right) \cdot \frac{V_{db}^3}{CGIDL + V_{db}^3}$$

$$I_{GISL} = AGISL \cdot W_{dios} \cdot Nf \cdot \frac{-V_{ds} - V_{gde} - EGISL + V_{fbsd}}{epsratio \cdot T_{oxe}} \cdot \exp \left( - \frac{epsratio \cdot T_{oxe} \cdot BGISL}{-V_{ds} - V_{gde} - EGISL + V_{fbsd}} \right) \cdot \frac{V_{sb}^3}{CGISL + V_{sb}^3}$$

***gidlMod = 1***

$$I_{gidl} = AGIDL \cdot W_{diod} \cdot Nf \cdot \frac{V_{ds} - RGIDL \cdot V_{gse} - EGIDL + V_{fbsd}}{epsratio \cdot T_{oxe}} \cdot \exp \left( - \frac{epsratio \cdot T_{oxe} \cdot BGIDL}{V_{ds} - RGIDL \cdot V_{gse} - EGIDL + V_{fbsd}} \right) \cdot \exp \left( \frac{KGIDL}{V_{bd} - FGIDL} \right)$$

$$I_{gisl} = AGISL \cdot W_{dios} \cdot Nf \cdot \frac{-V_{ds} - RGISL \cdot V_{gde} - EGISL + V_{fbsd}}{epsratio \cdot T_{oxe}} \cdot \exp \left( - \frac{epsratio \cdot T_{oxe} \cdot BGISL}{-V_{ds} - RGISL \cdot V_{gde} - EGISL + V_{fbsd}} \right) \cdot \exp \left( \frac{KGISL}{V_{bs} - FGISL} \right)$$

Here  $V_{fbsd} = 0$  when  $mtrlMod = 0$ . In  $mtrlMod=1$ ,  $epsratio = epsrsub/3.9$ ; which becomes  $11.7/epsrox$  in  $mtrlMod=0$ .

### ***Oxide tunneling current***

In inversion,

## Appendix C: Equation List

---

$$J_{gb} = A \frac{V_{gb} V_{aux}}{T_{ox}^2} \left( \frac{T_{oxref}}{T_{oxqm}} \right)^{N_{tox}} \exp \left( \frac{-B(\alpha_{gb1} - \beta_{gb1} |V_{ox}|) T_{ox}}{1 - |V_{ox}|/V_{gb1}} \right)$$

$$V_{aux} = V_{EVB} \ln \left( 1 + \exp \left( \frac{|V_{ox}| - \phi_g}{V_{EVB}} \right) \right)$$

$$A = \frac{q^3}{8\pi h \phi_b}$$

$$B = \frac{8\pi \sqrt{2m_{ox}} \phi_b^{3/2}}{3hq}$$

$$\phi_b = 4.2eV$$

$$m_{ox} = 0.3m_0$$

In accumulation,

$$J_{gb} = A \frac{V_{gb} V_{aux}}{T_{ox}^2} \left( \frac{T_{oxref}}{T_{oxqm}} \right)^{N_{tox}} \exp \left( \frac{-B(\alpha_{gb2} - \beta_{gb2} |V_{ox}|) T_{ox}}{1 - |V_{ox}|/V_{gb2}} \right)$$

$$V_{aux} = V_{ECB} V_t \ln \left( 1 + \exp \left( -\frac{V_{gb} - V_{fb}}{V_{ECB}} \right) \right)$$

$$A = \frac{q^3}{8\pi h \phi_b}$$

$$B = \frac{8\pi \sqrt{2m_{ox}} \phi_b^{3/2}}{3hq}$$

$$\phi_b = 3.1eV$$

$$m_{ox} = 0.4m_0$$

$$I_{g\_agbcp2} = A \times A_{agbcp2} \min(V_{gp} - V_{fb2}, 0) \times V_{gp\_eff} T_{oxRatio} \exp \left[ -B \times T_{oxqm} \left( AIGBCP2 - BIGBCP2 \times V_{gp\_eff} \right) \left( 1 + CIGBCP2 \times V_{gp\_eff} \right) \right]$$

$$V_{gp\_eff} = 0.5 \times \left[ \sqrt{(V_{gp} - V_{fb2})^2 + \delta^2} - (V_{gp} - V_{fb2}) - \delta \right]$$

$$\delta = 0.01$$

### Body contact current

$$R_{bp} = \left( R_{body} \frac{W'_{eff}/N_{seg}}{L_{eff}} \right) \parallel \left( R_{halo} \frac{W'_{eff}/N_{seg}}{2} \right), \quad R_{bodyext} = R_{bsh} N_{rb}$$

**For 4-T device,  $I_{bp} = 0$**

**For 5-T device,**

## Appendix C: Equation List

---

$$I_{bp} = \frac{V_{bp}}{R_{bp} + R_{bodyext}}$$

### Diode and BJT currents

#### Bipolar Transport Factor

$$\alpha_{bjt} = \exp\left[-0.5\left(\frac{L_{eff}}{L_n}\right)^2\right]$$

#### Body-to-Source/drain diffusion

$$I_{bs1} = W_{dios} T_{si} j_{difs} \left( \exp\left(\frac{V_{bs}}{n_{diode} V_t}\right) - 1 \right)$$

$$I_{bd1} = W_{diod} T_{si} j_{difd} \left( \exp\left(\frac{V_{bd}}{n_{diode} V_t}\right) - 1 \right)$$

#### Recombination/trap-assisted tunneling current in depletion region

$$I_{bs2} = W_{dios} T_{si} j_{recs} \left( \exp\left(\frac{V_{bs}}{0.026 n_{recf}}\right) - \exp\left(\frac{V_{sb}}{0.026 n_{recr}} \frac{V_{rec0}}{V_{rec0} + V_{sb}}\right) \right)$$

$$I_{bd2} = W_{diod} T_{si} j_{recd} \left( \exp\left(\frac{V_{bd}}{0.026 n_{recfd}}\right) - \exp\left(\frac{V_{db}}{0.026 n_{recrd}} \frac{V_{rec0d}}{V_{rec0d} + V_{db}}\right) \right)$$

#### Reversed bias tunneling leakage

$$I_{bs4} = W_{dios} T_{si} j_{tuns} \left( 1 - \exp\left(\frac{V_{sb}}{0.026 n_{tun}} \frac{V_{tun0}}{V_{tun0} + V_{sb}}\right) \right)$$

$$I_{bd4} = W_{diod} T_{si} j_{tund} \left( 1 - \exp\left(\frac{V_{db}}{0.026 n_{tund}} \frac{V_{tun0d}}{V_{tun0d} + V_{db}}\right) \right)$$

#### Recombination current in neutral body

$$I_{bs3} = (1 - \alpha_{bjt}) I_{en} \left[ \exp\left(\frac{V_{bs}}{n_{diode} V_t}\right) - 1 \right] \frac{1}{\sqrt{E_{hli} + 1}}$$

$$I_{bd3} = (1 - \alpha_{bjt}) I_{en} \left[ \exp\left(\frac{V_{bd}}{n_{diode} V_t}\right) - 1 \right] \frac{1}{\sqrt{E_{hli} + 1}}$$



## Appendix C: Equation List

---

$$I_{ens} = \frac{W'_{eff}}{N_{seg}} T_{si} j_{sbjt} \left[ L_{bjt0} \left( \frac{1}{L_{eff}} + \frac{1}{L_n} \right) \right]^{N_{bjt}}$$

$$I_{end} = \frac{W'_{eff}}{N_{seg}} T_{si} j_{dbjt} \left[ L_{bjt0} \left( \frac{1}{L_{eff}} + \frac{1}{L_n} \right) \right]^{N_{bjt}}$$

$$E_{hli} = A_{hli\_eff} \left[ \exp \left( \frac{V_{bs}}{n_{diode} V_t} \right) - 1 \right]$$

$$E_{hlid} = A_{hli\_eff} \left[ \exp \left( \frac{V_{bd}}{n_{diode} V_t} \right) - 1 \right]$$

$$A_{hli\_eff} = A_{hli} \exp \left[ \frac{-E_g(300K)}{n_{diode} V_t} X_{bjt} \left( 1 - \frac{T}{T_{nom}} \right) \right]$$

$$A_{hlid\_eff} = A_{hlid} \exp \left[ \frac{-E_g(300K)}{n_{diode} V_t} X_{bjt} \left( 1 - \frac{T}{T_{nom}} \right) \right]$$

BJT collector current

$$I_c = \alpha_{bjt} I_{en} \left\{ \exp \left[ \frac{V_{bs}}{n_{diodes} V_t} \right] - \exp \left[ \frac{V_{bd}}{n_{diode} V_t} \right] \right\} \frac{1}{E_{2nd}}$$

$$E_{2nd} = \frac{E_{ely} + \sqrt{E_{ely}^2 + 4E_{hli}}}{2}$$

$$E_{ely} = 1 + \frac{V_{bs} + V_{bd}}{V_{Abjt} + A_{ely} L_{eff}}$$

$$E_{hli} = E_{hli} + E_{hlid}$$

Total body-source/drain current

$$I_{bs} = I_{bs1} + I_{bs2} + I_{bs3} + I_{bs4}$$

$$I_{bd} = I_{bd1} + I_{bd2} + I_{bd3} + I_{bd4}$$

**Total body current**

$$I_{ii} + I_{dgidl} + I_{sgisl} + I_{gb} - I_{bs} - I_{bd} - I_{bp} = 0$$

**Temperature effects**

## Appendix C: Equation List

---

$$V_{th(T)} = V_{th(Tnom)} + (K_{T1} + K_{t1l} / L_{eff} + K_{T2} V_{bseff})(T / T_{nom} - 1)$$

$$\mu_{o(T)} = \mu_{o(Tnom)} \left(\frac{T}{T_{nom}}\right)^{\mu_{oe}}, \quad V_{sat(T)} = V_{sat(Tnom)} - A_T (T / T_{nom} - 1)$$

$$R_{dsw(T)} = R_{dsw(Tnom)} + P_{rt} \left(\frac{T}{T_{nom}} - 1\right)$$

$$U_{a(T)} = U_{a(Tnom)} + U_{a1} (T / T_{nom} - 1)$$

$$U_{b(T)} = U_{b(Tnom)} + U_{b1} (T / T_{nom} - 1)$$

$$U_{c(T)} = U_{c(Tnom)} + U_{c1} (T / T_{nom} - 1)$$

$$R_{th} = \frac{R_{th0}}{(W'_{eff} + W_{th0}) / N_{seg}}, \quad C_{th} = C_{th0} \frac{W'_{eff} + W_{th0}}{N_{seg}}$$

$$j_{sbit} = i_{sbit} \exp \left[ \frac{-E_g (300K)}{n_{diode} V_t} X_{bit} \left( 1 - \frac{T}{T_{nom}} \right) \right]$$

$$j_{dbjt} = i_{dbjt} \exp \left[ \frac{-E_g (300K)}{n_{diode} V_t} X_{bjt} \left( 1 - \frac{T}{T_{nom}} \right) \right]$$

$$j_{sdif} = i_{sdif} \exp \left[ \frac{-E_g (300K)}{n_{diode} V_t} X_{dif} \left( 1 - \frac{T}{T_{nom}} \right) \right]$$

$$j_{ddif} = i_{ddif} \exp \left[ \frac{-E_g (300K)}{n_{diode} V_t} X_{difd} \left( 1 - \frac{T}{T_{nom}} \right) \right]$$

$$j_{srec} = i_{srec} \exp \left[ \frac{-E_g (300K)}{n_{recf0} V_t} X_{rec} \left( 1 - \frac{T}{T_{nom}} \right) \right]$$

$$j_{drec} = i_{drec} \exp \left[ \frac{-E_g (300K)}{n_{recf0d} V_t} X_{recd} \left( 1 - \frac{T}{T_{nom}} \right) \right]$$

## Appendix C: Equation List

---

$$j_{stun} = i_{stun} \exp \left[ X_{tun} \left( \frac{T}{T_{nom}} - 1 \right) \right]$$

$$j_{dtun} = i_{dtun} \exp \left[ X_{tund} \left( \frac{T}{T_{nom}} - 1 \right) \right]$$

$$n_{recfs} = n_{recf0} \left[ 1 + nt_{recf} \left( \frac{T}{T_{nom}} - 1 \right) \right]$$

$$n_{recfd} = n_{recf0d} \left[ 1 + nt_{recf} \left( \frac{T}{T_{nom}} - 1 \right) \right]$$

$$n_{recrs} = n_{recr0} \left[ 1 + nt_{recr} \left( \frac{T}{T_{nom}} - 1 \right) \right]$$

$$n_{recrd} = n_{recr0d} \left[ 1 + nt_{recr} \left( \frac{T}{T_{nom}} - 1 \right) \right]$$

$E_g$  is the energy gap energy.

### Equation List for BSIMPD CV

#### Dimension Dependence

$$\delta W_{eff} = DWC + \frac{W_{lc}}{L^{W_{ln}}} + \frac{W_{wc}}{W^{W_{wn}}} + \frac{W_{wlc}}{L^{W_{ln}} W^{W_{wn}}}$$

$$\delta L_{eff} = DLC + \frac{L_{lc}}{L^{L_{ln}}} + \frac{L_{wc}}{W^{L_{wn}}} + \frac{L_{wlc}}{L^{L_{ln}} W^{L_{wn}}}$$

$$L_{active} = L_{drawn} - 2\delta L_{eff}$$

$$L_{activeB} = L_{active} - DL_{CB}$$

$$L_{activeBG} = L_{activeB} + 2\delta L_{bg}$$

## Appendix C: Equation List

$$W_{active} = W_{drawn} - N_{bc} dW_{bc} - (2 - N_{bc}) \delta W_{eff}$$

$$W_{diosCV} = \frac{W_{active}}{N_{seg}} + P_{sbcp}$$

$$W_{diodCV} = \frac{W_{active}}{N_{seg}} + P_{dbcp}$$

### Charge Conservation

$$Q_{Bf} = Q_{acc} + Q_{sub0} + Q_{subs}$$

$$Q_{inv} = Q_{inv,s} + Q_{inv,d}$$

$$Q_g = -(Q_{inv} + Q_{Bf})$$

$$Q_b = Q_{Bf} - Q_e + Q_{js} + Q_{jd}$$

$$Q_s = Q_{inv,s} - Q_{js}$$

$$Q_d = Q_{inv,d} - Q_{jd}$$

$$Q_g + Q_e + Q_b + Q_s + Q_d = 0$$

### Intrinsic Charges

$$(1) \text{ capMod} = 2$$

#### Front Gate Body Charge

##### Accumulation Charge

$$V_{FBeff} = V_{fb} - 0.5 \left( (V_{fb} - V_{gb} - \delta) + \sqrt{(V_{fb} - V_{gb} - \delta)^2 + \delta^2} \right)$$

$$\text{where } V_{gb} = V_{gs} - V_{bseff}$$

$$V_{fb} = V_{th} - \phi_s - K_{1eff} \sqrt{\phi_s - V_{bseff}} + delvt$$

$$Q_{acc} = -F_{body} \left( \frac{W_{active} L_{activeB}}{N_{seg}} + A_{gbcp} \right) C_{ox} (V_{FBeff} - V_{fb})$$

##### **vgstcvMod = 0 and 1**

$$V_{gstcv} = nv_t \ln \left( 1 + \exp \left[ \frac{V_{gs} - V_{th}}{nv_t} \right] \cdot \exp \left[ -\frac{delvt}{nv_t} \right] \right)$$

## Appendix C: Equation List

$$vgstcvMod = 2$$

$$V_{gsteffCV} = \frac{nv_t \ln \left[ 1 + \exp\left(\frac{m^{*CV} (V_{gs\_eff} - V_{th} - delvt)}{nv_t}\right) \right]}{m^{*CV} + nC_{ox} \sqrt{\frac{2\Phi_s}{q\epsilon_{si} N_{dep}}} \exp\left(-\frac{(1-m^*)(V_{gs\_eff} - V_{th} - delvt) - V_{offCV}}{nv_t}\right)}$$

$$m^{*CV} = 0.5 + \frac{\arctan(MINVCV)}{\pi}$$

Gate Induced Depletion Charge

$$Q_{sub0} = -F_{body} \left( \frac{W_{active} L_{activeB}}{N_{seg}} + A_{gbcp} \right) C_{ox} \frac{K_{1eff}^2}{2} \left( -1 + \sqrt{1 + \frac{4(V_{gs} - V_{FBeff} - V_{gsteffCV} - V_{bseff})}{K_{1eff}^2}} \right)$$

Drain Induced Depletion Charge

$$V_{dsatCV} = V_{gsteffCV} / A_{bulkCV}, \quad A_{bulkCV} = A_{bulk0} \left[ 1 + \left( \frac{CLC}{L_{activeB}} \right)^{CLE} \right]$$

$$V_{dsCV} = V_{dsatCV} - \frac{1}{2} (V_{dsatCV} - V_{ds} - \delta + \sqrt{(V_{dsatCV} - V_{ds} - \delta)^2 + 4\delta V_{dsatCV}})$$

$$Q_{subs} = F_{body} \left( \frac{W_{active} L_{activeB}}{N_{seg}} + A_{gbcp} \right) K_{1eff} C_{ox} (A_{bulkCV} - 1) \left[ \frac{V_{dsCV}}{2} - \frac{A_{bulkCV} V_{dsCV}^2}{12(V_{gsteffCV} - A_{bulkCV} V_{dsCV}/2)} \right]$$

Back Gate Body Charge

$$Q_e = k_{b1} F_{body} \left( \frac{W_{active} L_{activeBG}}{N_{seg}} + A_{ebcp} \right) C_{box} (V_{es} - V_{fbb} - V_{bseff})$$

Inversion Charge

$$V_{cveff} = V_{dsat,CV} - 0.5 \left( V_4 + \sqrt{V_4^2 + 4\delta_4 V_{dsat,CV}} \right) \text{ where } V_4 = V_{dsat,CV} - V_{ds} - \delta_4; \delta_4 = 0.02$$

$$Q_{inv} = - \left( \frac{W_{active} L_{active}}{N_{seg}} + A_{gbcp} \right) C_{ox} \left( \left( V_{gsteffCV} - \frac{A_{bulkCV}}{2} V_{cveff} \right) + \frac{A_{bulkCV}^2 V_{cveff}^2}{12 \left( V_{gsteffCV} - \frac{A_{bulkCV}}{2} V_{cveff} \right)} \right)$$

## Appendix C: Equation List

---

### 50/50 Charge Partition

$$Q_{inv,s} = Q_{inv,d} = 0.5Q_{inv}$$

### 40/60 Charge Partition

$$Q_{inv,s} = -\frac{\left(\frac{W_{active}L_{active}}{N_{seg}} + A_{gbcp}\right)C_{ox}}{2\left(V_{gsteffCV} - \frac{A_{bulkCV}}{2}V_{cveff}\right)^2} \left( V_{gsteffCV}^3 - \frac{4}{3}V_{gsteffCV}^2(A_{bulkCV}V_{cveff}) + \frac{2}{3}V_{gsteff}(A_{bulkCV}V_{cveff})^2 - \frac{2}{15}(A_{bulkCV}V_{cveff})^3 \right)$$

$$Q_{inv,d} = -\frac{\left(\frac{W_{active}L_{active}}{N_{seg}} + A_{gbcp}\right)C_{ox}}{2\left(V_{gsteffCV} - \frac{A_{bulkCV}}{2}V_{cveff}\right)^2} \left( V_{gsteffCV}^3 - \frac{5}{3}V_{gsteffCV}^2(A_{bulkCV}V_{cveff}) + V_{gsteff}(A_{bulkCV}V_{cveff})^2 - \frac{1}{5}(A_{bulkCV}V_{cveff})^3 \right)$$

### 0/100 Charge Partition

$$Q_{inv,s} = -\frac{W_{active}L_{active} + A_{gbcp}}{N_{seg}}C_{ox} \left( \frac{V_{gsteffCV}}{2} + \frac{A_{bulkCV}V_{cveff}}{4} - \frac{(A_{bulkCV}V_{cveff})^2}{24\left(V_{gsteffCV} - \frac{A_{bulkCV}}{2}V_{cveff}\right)} \right)$$

$$Q_{inv,d} = -\frac{W_{active}L_{active} + A_{gbcp}}{N_{seg}}C_{ox} \left( \frac{V_{gsteffCV}}{2} - \frac{3A_{bulkCV}V_{cveff}}{4} + \frac{(A_{bulkCV}V_{cveff})^2}{8\left(V_{gsteffCV} - \frac{A_{bulkCV}}{2}V_{cveff}\right)} \right)$$

### (2) capMod = 3 (Charge-Thickness Model)

capMod = 3 only supports zero-bias flat band voltage, which is calculated from bias-independent threshold voltage. This is different from capMod = 2. For the finite thickness ( $X_{DC}$ ) formulation, refer to Chapter 4 of BSIM3v3.2 Users's Manual.

### Front Gate Body Charge

#### Accumulation Charge

$$V_{FBeff} = V_{fb} - 0.5 \left( (V_{fb} - V_{gb} - \delta) + \sqrt{(V_{fb} - V_{gb} - \delta)^2 + \delta^2} \right)$$

## Appendix C: Equation List

where  $V_{gb} = V_{gs} - V_{bseff}$

$$V_{fb} = V_{th} - \phi_s - K_{1eff} \sqrt{\phi_s - V_{bseff}}$$

$$Q_{acc} = -F_{body} \left( \frac{W_{active} L_{activeB}}{N_{seg}} + A_{gbcp} \right) C_{oxeff} V_{gbacc}$$

$$V_{gbacc} = 0.5 \left( V_0 + \sqrt{V_0^2 + 4\delta V_{fb}} \right)$$

$$V_0 = V_{fb} + V_{bseff} - V_{gs} - \delta$$

$$C_{oxeff} = \frac{C_{ox} C_{cen}}{C_{ox} + C_{cen}}$$

$$C_{cen} = \epsilon_{Si} / X_{DC}$$

### Gate Induced Depletion Charge

$$Q_{sub0} = -F_{body} \left( \frac{W_{active} L_{activeB}}{N_{seg}} + A_{gbcp} \right) C_{oxeff} \frac{K_{1eff}^2}{2} \left( -1 + \sqrt{1 + \frac{4(V_{gs} - V_{FBeff} - V_{gsteffCV} - V_{bseff})}{K_{1eff}^2}} \right)$$

### Drain Induced Depletion Charge

$$V_{dsatCV} = (V_{gsteffCV} - \Phi_\delta) / A_{bulkCV}$$

$$\Phi_\delta = \Phi_s - 2\Phi_B = v_t \ln \left[ 1 + \frac{V_{gsteffCV} (V_{gstefCV} + 2K_{1eff} \sqrt{2\Phi_B})}{moinK_{1eff} v_t^2} \right]$$

$$V_{dsCV} = V_{dsatCV} - \frac{1}{2} (V_{dsatCV} - V_{ds} - \delta + \sqrt{(V_{dsatCV} - V_{ds} - \delta)^2 + 4\delta V_{dsatCV}})$$

$$Q_{subs} = F_{body} \left( \frac{W_{active} L_{activeB}}{N_{seg}} + A_{gbcp} \right) K_{1eff} C_{oxeff} (A_{bulkCV} - 1) \left[ \frac{V_{dsCV}}{2} - \frac{A_{bulkCV} V_{dsCV}^2}{12(V_{gsteffCV} - \Phi_\delta - A_{bulkCV} V_{dsCV} / 2)} \right]$$

### Back Gate Body Charge

$$Q_e = k_{b1} F_{body} \left( \frac{W_{active} L_{activeBG}}{N_{seg}} + A_{ebcp} \right) C_{box} (V_{es} - V_{fbb} - V_{bseff})$$

### Inversion Charge

## Appendix C: Equation List

$$V_{cveff} = V_{dsat,CV} - 0.5 \left( V_4 + \sqrt{V_4^2 + 4\delta_4 V_{dsat,CV}} \right) \text{ where } V_4 = V_{dsat,CV} - V_{ds} - \delta_4; \delta_4 = 0.02$$

$$Q_{inv} = - \left( \frac{W_{active} L_{active}}{N_{seg}} + A_{gbcp} \right) C_{oxeff} \left( \left( V_{gsteffCV} - \Phi_{\delta} - \frac{A_{bulkCV}}{2} V_{cveff} \right) + \frac{A_{bulkCV}^2 V_{cveff}^2}{12 \left( V_{gsteffCV} - \Phi_{\delta} - \frac{A_{bulkCV}}{2} V_{cveff} \right)} \right)$$

### 50/50 Charge Partition

$$Q_{inv,s} = Q_{inv,d} = 0.5 Q_{inv}$$

### 40/60 Charge Partition

$$Q_{inv,s} = - \frac{\left( \frac{W_{active} L_{active}}{N_{seg}} + A_{gbcp} \right) C_{oxeff}}{2 \left( V_{gsteffCV} - \Phi_{\delta} - \frac{A_{bulkCV}}{2} V_{cveff} \right)^2} \left( \left( V_{gsteffCV} - \Phi_{\delta} \right)^3 - \frac{4}{3} \left( V_{gsteffCV} - \Phi_{\delta} \right)^2 \left( A_{bulkCV} V_{cveff} \right) + \frac{2}{3} \left( V_{gsteffCV} - \Phi_{\delta} \right) \left( A_{bulkCV} V_{cveff} \right)^2 - \frac{2}{15} \left( A_{bulkCV} V_{cveff} \right)^3 \right)$$

$$Q_{inv,d} = - \frac{\left( \frac{W_{active} L_{active}}{N_{seg}} + A_{gbcp} \right) C_{oxef}}{2 \left( V_{gsteffCV} - \Phi_{\delta} - \frac{A_{bulkCV}}{2} V_{cveff} \right)^2} \left( \left( V_{gsteffCV} - \Phi_{\delta} \right)^3 - \frac{5}{3} \left( V_{gsteffCV} - \Phi_{\delta} \right)^2 \left( A_{bulkCV} V_{cveff} \right) + \left( V_{gsteffCV} - \Phi_{\delta} \right) \left( A_{bulkCV} V_{cveff} \right)^2 - \frac{1}{5} \left( A_{bulkCV} V_{cveff} \right)^3 \right)$$

### 0/100 Charge Partition

$$Q_{inv,s} = - \frac{W_{active} L_{active} + A_{gbcp}}{N_{seg}} C_{oxeff} \left( \frac{V_{gsteffCV} - \Phi_{\delta}}{2} + \frac{A_{bulkCV} V_{cveff}}{4} - \frac{\left( A_{bulkCV} V_{cveff} \right)^2}{24 \left( V_{gsteffCV} - \Phi_{\delta} - \frac{A_{bulkCV}}{2} V_{cveff} \right)} \right)$$

$$Q_{inv,d} = - \frac{W_{active} L_{active} + A_{gbcp}}{N_{seg}} C_{oxeff} \left( \frac{V_{gsteffCV} - \Phi_{\delta}}{2} - \frac{3 A_{bulkCV} V_{cveff}}{4} + \frac{\left( A_{bulkCV} V_{cveff} \right)^2}{8 \left( V_{gsteffCV} - \Phi_{\delta} - \frac{A_{bulkCV}}{2} V_{cveff} \right)} \right)$$

### Overlap Capacitance

#### Source Overlap Charge

$$V_{gs\_overlap} = \frac{1}{2} \left\{ \left( V_{gs} + \delta \right) + \sqrt{\left( V_{gs} + \delta \right)^2 + 4\delta} \right\}$$



## Appendix C: Equation List

---

$$\frac{Q_{overlap,s}}{W_{diodCV}} = CGS0 \cdot V_{gs} + CGS1 \left\{ V_{gs} - V_{gs\_overlap} + \frac{CKAPPA}{2} \left( -1 + \sqrt{1 + \frac{4V_{gs\_overlap}}{CKAPPA}} \right) \right\}$$

Drain Overlap Charge

$$V_{gd\_overlap} = \frac{1}{2} \left\{ (V_{gd} + \delta) + \sqrt{(V_{gd} + \delta)^2 + 4\delta} \right\}$$

$$\frac{Q_{overlap,d}}{W_{diodCV}} = CGD0 \cdot V_{gd} + CGD1 \left\{ V_{gd} - V_{gd\_overlap} + \frac{CKAPPA}{2} \left( -1 + \sqrt{1 + \frac{4V_{gd\_overlap}}{CKAPPA}} \right) \right\}$$

Gate Overlap Charge

$$Q_{overlap,g} = -(Q_{overlap,s} + Q_{overlap,d})$$

Source/Drain Junction Charge

**For  $V_{bs} < 0.95\phi_s$**

**else**

$$Q_{jswg} = C_{bsdep} (0.95\phi_s)(V_{bs} - 0.95\phi_s) + Q_{bsdif}$$

**For  $V_{bd} < 0.95\phi_s$**

**else**

$$Q_{jdwg} = C_{bddep} (0.95\phi_s)(V_{bd} - 0.95\phi_s) + Q_{bddif}$$

where

## Appendix C: Equation List

$$Q_{bsdep} = W_{dioCV} C_{jswgs} \frac{T_{si}}{10^{-7}} \frac{P_{bswgs}}{1-M_{jswgs}} \left[ 1 - \left( 1 - \frac{V_{bs}}{P_{bswgs}} \right)^{1-M_{jswgs}} \right]$$

$$Q_{bddep} = W_{dioCV} C_{jswgd} \frac{T_{si}}{10^{-7}} \frac{P_{bswgd}}{1-M_{jswgd}} \left[ 1 - \left( 1 - \frac{V_{bd}}{P_{bswgd}} \right)^{1-M_{jswgd}} \right]$$

$$C_{jswgs} = C_{jswgs0} \left[ 1 + t_{cjswgs} (T - T_{nom}) \right]$$

$$C_{jswgd} = C_{jswgd0} \left[ 1 + t_{cjswgd} (T - T_{nom}) \right]$$

$$P_{bswgs} = P_{bswgs0} - t_{pbswgs} (T - T_{nom})$$

$$P_{bswgd} = P_{bswgd0} - t_{pbswgd} (T - T_{nom})$$

$$Q_{bsdif} = \tau \frac{W_{eff}'}{N_{seg}} T_{si} J_{sbjt} \left[ 1 + L_{dif0} \left( L_{bj0} \left( \frac{1}{L_{eff}} + \frac{1}{L_n} \right) \right)^{N_{dif}} \right] \left[ \exp \left( \frac{V_{bs}}{n_{dios} V_t} \right) - 1 \right] \frac{1}{\sqrt{E_{hlis} + 1}}$$

$$Q_{bddif} = \tau \frac{W_{eff}'}{N_{seg}} T_{si} J_{dbjt} \left[ 1 + L_{dif0} \left( L_{bj0} \left( \frac{1}{L_{eff}} + \frac{1}{L_n} \right) \right)^{N_{dif}} \right] \left[ \exp \left( \frac{V_{bd}}{n_{diod} V_t} \right) - 1 \right] \frac{1}{\sqrt{E_{hlid} + 1}}$$

### Extrinsic Capacitance

Bottom S/D to Substrate Capacitance (per unit area)

$$C_{esb} = \begin{cases} C_{box} & \text{if } V_{s/d,e} < V_{sdfb} \\ C_{box} - \frac{1}{A_{sd}} (C_{box} - C_{min}) \left( \frac{V_{s/d,e} - V_{sdfb}}{V_{sdth} - V_{sdfb}} \right)^2 & \text{elseif } V_{s/d,e} < V_{sdfb} + A_{sd} (V_{sdth} - V_{sdfb}) \\ C_{min} + \frac{1}{1 - A_{sd}} (C_{box} - C_{min}) \left( \frac{V_{s/d,e} - V_{sdth}}{V_{sdth} - V_{sdfb}} \right)^2 & \text{elseif } V_{s/d,e} < V_{sdth} \\ C_{min} & \text{else} \end{cases}$$

Sidewall S/D to Substrate Capacitance (per unit length)

$$C_{s/d,esw} = C_{sdesw} \log \left( 1 + \frac{T_{si}}{T_{box}} \right)$$

### Finite Thickness Formulation

When capMod = 3, the finite thickness model is selected.

$$mtrlMod = 0$$

## Appendix C: Equation List

$$C_{oxeff} = \frac{C_{oxp} \cdot C_{cen}}{C_{oxp} + C_{cen}}$$

$$C_{cen} = \epsilon_{si} / X_{DC}$$

(i)  $X_{DC}$  for accumulation and depletion

$$X_{DC} = \frac{1}{3} L_{debye} \exp \left[ ACDE \cdot \left( \frac{NDEP}{2 \times 10^{16}} \right)^{-0.25} \cdot \frac{V_{gse} - V_{bseff} - V_{FBeff}}{TOXP} \right]$$

For numerical stability,

$$X_{DC} = X_{max} - \frac{1}{2} \left( X_0 + \sqrt{X_0^2 + 4\delta_x X_{max}} \right)$$

$$X_0 = X_{max} - X_{DC} - \delta_x$$

(ii)  $X_{DC}$  of inversion charge

$$X_{DC} = \frac{ADOS \times 1.9 \times 10^{-9} \text{ m}}{1 + \left( \frac{V_{gsteff} + 4(V_{TH0} - V_{FB} - \Phi_s)}{2TOXP} \right)^{0.7 \times BDOS}}$$

(iii) Body charge thickness in inversion

$$\varphi_\delta = \Phi_s - 2\Phi_B = v_t \ln \left( 1 + \frac{V_{gsteffCV} \cdot (V_{gsteffCV} + 2K_{lox} \sqrt{2\Phi_B})}{MOIN \cdot K_{lox}^2 v_t} \right)$$

$$q_{inv} = -C_{oxeff} \cdot (V_{gsteff,CV} - \varphi_\delta)_{eff}$$

***mtrlMod = 1***

In this case,  $TOXP$  has to be calculated first:

$$TOXP = EOT - \frac{3.9}{EPSRSUB} \times X_{DC} \Big|_{V_{gs}=VDDEOT, V_{ds}=V_{bs}=0}$$

Then, other procedures are same in  $mtrlMod = 0$ .

## Appendix D: Parameter Extraction

---

### D.1. Extraction Strategy

The complicated physics in SOI MOSFETs makes parameter extraction quite involved [20]. It is always preferable to have more measurements so that the parameters extracted can have more valid physical meaning. Similar to conventional bulk devices, two basic extraction strategies can be used: single device extraction, and group device extraction. The group device extraction is more popular because of several reasons. In analog circuit, channel length and width scalability is very important. In digital circuit, statistical modeling is often used to predict the circuit performance due to process variation. Hence channel length scalability is also important. Besides, model parameters extracted from group device extraction have better physical meaning than that from single device extraction. In this work, we shall emphasize on group device extraction.

Parameter extraction using body contact devices is highly recommended because parameters related to body effect, impact ionization and leakage currents can be directly extracted [18, 19]. This yields less ambiguity in extracting technology parameters for I-V fitting purposes. In the followings, we suggest a set of measurement suitable for PD devices.

### D.2. Suggested I-V Measurement

Measurement set A is used to extract basic MOS I-V parameters. For each body-contacted device :

(A1)  $I_{ds}$  vs.  $V_{gs}$  @ small  $V_{ds}$  with different  $V_{bs}$ ,  $V_{es}=0V$ .

(A2)  $I_{ds}$  vs.  $V_{gs}$  @  $V_{ds}=V_{dd}$  with different  $V_{bs}$ ,  $V_{es}=0V$ .

(A3)  $I_{ds}$  vs.  $V_{ds}$  with different  $V_{gs}$  and different  $V_{bs}$ ,  $V_{es}=0V$ .

Parameters extracted include threshold voltage, body coefficient, delta L and W, series resistance, mobility, short channel effect, and subthreshold swing. (A2) is used to extract DIBL

## Appendix D: Parameter Extraction

---

parameters at subthreshold. (A3) is used to extract saturation velocity, body charge effect, output resistance, body contact resistance and self-heating parameters.

Measurement set C is used to extract impact ionization current parameters. For each body-contacted device :

(C1)  $I_b$  vs.  $V_{gs}$  @ different  $V_{ds}$ ,  $V_{bs}=0V$ ,  $V_{es}=0V$ .

(C2)  $I_b$  vs.  $V_{ds}$  @ different  $V_{gs}$ ,  $V_{bs}=0V$ ,  $V_{es}=0V$ .

Measurement set D is used to extract MOS temperature dependent parameter. For a long channel body-contacted device:

(D1)  $I_{ds}$  vs.  $V_{gs}$  @ small  $V_{ds}$ ,  $V_{bs}=0V$ ,  $V_{es}=0V$ , repeat with several temperatures.

(D2)  $I_{ds}$  vs.  $V_{ds}$  @ different  $V_{gs}$ ,  $V_{bs}=0V$ ,  $V_{es}=0V$ , repeat with several temperatures.

Notice that the self-heating parameters have to be extracted from set A.

Measurement set E is used to extract diode parameters. For a long channel body-contacted device or gated diode :

(E1)  $I_{diode}$  vs.  $V_{bs}$  @  $V_{gs}=-1V$ ,  $V_{es}=0V$ , repeat with several temperature

Measurement set F is used to extract BJT parameters. For each body-contacted device:

(F1)  $I_{ds}$  vs.  $I_b$  @  $V_{gs}=-1V$ ,  $V_{es}=0V$ ,  $V_{ds}=1V$ .

Measurement set G is used to verify the floating body device data. For each floating-body device :

(G1)  $I_{ds}$  vs.  $V_{gs}$  @ small  $V_{ds}$ .

(G2)  $I_{ds}$  vs.  $V_{gs}$  @  $V_{ds}=V_{dd}$ .

(G3)  $I_{ds}$  vs.  $V_{ds}$  @ different  $V_{gs}$ .

## Appendix E: Model Parameter Binning

Below is the information on parameter binning regarding which model parameters can or cannot be binned. All those parameters which can be binned follow this implementation:

$$P = P_0 + \frac{P_L}{L_{eff}} + \frac{P_W}{W_{eff}} + \frac{P_P}{L_{eff} \times W_{eff}}$$

For example, for the parameter  $k1$ :  $P_0 = k1$ ,  $P_L = lk1$ ,  $P_W = wk1$ ,  $P_P = pk1$ .  $binUnit$  is a binning unit selector. If  $binUnit = 1$ , the units of  $L_{eff}$  and  $W_{eff}$  used in the binning equation above have the units of microns; otherwise in meters.

For example, for a device with  $L_{eff} = 0.5\mu m$  and  $W_{eff} = 10\mu m$ . If  $binUnit = 1$ , the parameter values for  $vsat$  are  $1e5$ ,  $1e4$ ,  $2e4$ , and  $3e4$  for  $vsat$ ,  $lvsat$ ,  $wvsat$ , and  $pvsat$ , respectively. Therefore, the effective value of  $vsat$  for this device is

$$vsat = 1e5 + 1e4/0.5 + 2e4/10 + 3e4/(0.5*10) = 1.28e5$$

To get the same effective value of  $vsat$  for  $binUnit = 0$ , the values of  $vsat$ ,  $lvsat$ ,  $wvsat$ , and  $pvsat$  would be  $1e5$ ,  $1e-2$ ,  $2e-2$ ,  $3e-8$ , respectively. Thus,

$$vsat = 1e5 + 1e-2/0.5e-6 + 2e-2/10e-6 + 3e-8/(0.5e-6 * 10e-6) = 1.28e5$$

## Appendix E: Model Parameter Binning

Model parameters that have been binned in B4SOI are listed as follows:

### E.1. DC Parameters

Symbol used in equation	Symbol used in SPICE	Description
$V_{th0}$	vth0	Threshold voltage @ $V_{bs}=0$ for long and wide device
$K_1$	k1	First order body effect coefficient
$K_{1w1}$	k1w1	First body effect width dependent parameter
$K_{1w2}$	k1w2	Second body effect width dependent parameter
$K_2$	k2	Second order body effect coefficient
$K_3$	k3	Narrow width coefficient
$K_{3b}$	k3b	Body effect coefficient of k3
$K_{b1}$	Kb1	Backgate body charge coefficient
$W_0$	w0	Narrow width parameter
$N_{LX}$	nlx	Lateral non-uniform doping parameter
$D_{vt0}$	Dvt0	first coefficient of short-channel effect on Vth
$D_{vt1}$	dvt1	Second coefficient of short-channel effect on Vth
$D_{vt2}$	dvt2	Body-bias coefficient of short-channel effect on Vth
$D_{vt0w}$	dvt0w	first coefficient of narrow width effect on Vth for small channel length
$D_{vt1w}$	dvt1w	Second coefficient of narrow width effect on Vth for small channel length
$D_{vt2w}$	dvt2w	Body-bias coefficient of narrow width effect on Vth for small channel length
$\mu_0$	u0	Mobility at Temp = Tnom
$U_a$	ua	First-order mobility degradation coefficient
$U_b$	ub	Second-order mobility degradation coefficient
$U_c$	uc	Body-effect of mobility degradation coefficient
$v_{sat}$	vsat	Saturation velocity at Temp=Tnom
$A0$	a0	Bulk charge effect coefficient for channel length

## Appendix E: Model Parameter Binning

$A_{gs}$	ags	Gate bias coefficient of $A_{bulk}$
$B0$	b0	Bulk charge effect coefficient for channel width
$B1$	b1	Bulk charge effect width offset
$Keta$	keta	Body-bias coefficient of bulk charge effect
$Ketas$	Ketas	Surface potential adjustment for bulk charge effect
$A_1$	A1	First non-saturation effect parameter
$A_2$	A2	Second non-saturation effect parameter
$R_{dsw}$	rdsw	Parasitic resistance per unit width
$Prwb$	prwb	Body effect coefficient of $R_{dsw}$
$Prwg$	prwg	Gate bias effect coefficient of $R_{dsw}$
$Wr$	wr	Width offset from $W_{eff}$ for $R_{ds}$ calculation
$Nfactor$	nfactor	Subthreshold swing factor
$Wint$	wint	Width offset fitting parameter from I-V without bias
$Lint$	lint	Length offset fitting parameter from I-V without bias
$DWg$	dwg	Coefficient of $W_{eff}$ 's gate dependence
$DWb$	dwb	Coefficient of $W_{eff}$ 's substrate body bias dependence
$V_{off}$	voff	Offset voltage in the subthreshold region for large W and L
$Eta0$	eta0	DIBL coefficient in subthreshold region
$Etab$	etab	Body-bias coefficient for the subthreshold DIBL effect
$D_{sub}$	dsub	DIBL coefficient exponent
$C_{it}$	cit	Interface trap capacitance
$C_{dsc}$	cdsc	Drain/Source to channel coupling capacitance
$C_{dscb}$	cdscb	Body-bias sensitivity of $C_{dsc}$
$C_{dscd}$	cdscd	Drain-bias sensitivity of $C_{dsc}$
$P_{clm}$	pclm	Channel length modulation parameter
$P_{dibl1}$	pdibl1	First output resistance DIBL effect correction parameter
$P_{dibl2}$	pdibl2	Second output resistance DIBL effect correction parameter
$D_{rout}$	drout	L dependence coefficient of the DIBL correction parameter in $R_{out}$
$Pvag$	pvag	Gate dependence of Early voltage



## Appendix E: Model Parameter Binning

$\delta$	delta	Effective $V_{ds}$ parameter
$\alpha_0$	alpha0	The first parameter of impact ionization current
$F_{bjtiii}$	fbjtiii	Fraction of bipolar current affecting the impact ionization
$\beta_0$	beta0	First $V_{ds}$ dependent parameter of impact ionization current
$\beta_1$	beta1	Second $V_{ds}$ dependent parameter of impact ionization current
$\beta_2$	beta2	Third $V_{ds}$ dependent parameter of impact ionization current
$V_{dsatii0}$	vdsatii0	Nominal drain saturation voltage at threshold for impact ionization current
$T_{ii}$	tii	Temperature dependent parameter for impact ionization current
$L_{ii}$	lii	Channel length dependent parameter at threshold for impact ionization current
$E_{satii}$	esatii	Saturation channel electric field for impact ionization current
$S_{ii0}$	sii0	First $V_{gs}$ dependent parameter for impact ionization current
$S_{ii1}$	sii1	Second $V_{gs}$ dependent parameter for impact ionization current
$S_{ii2}$	sii2	Third $V_{gs}$ dependent parameter for impact ionization current
$S_{iid}$	siid	$V_{ds}$ dependent parameter of drain saturation voltage for impact ionization current
$\alpha_{gidl}$	Agidl	GIDL constant
$\beta_{gidl}$	Bgidl	GIDL exponential coefficient
$\chi$	Ngidl	GIDL $V_{ds}$ enhancement coefficient
$n_{tun}$	Ntun	Reverse tunneling non-ideality factor
$n_{diode}$	Ndiode	Diode non-ideality factor
$n_{recf0}$	Nrecf0	Recombination non-ideality factor at forward bias
$n_{recr0}$	Nrecr0	Recombination non-ideality factor at reversed bias
$i_{sbjt}$	Isbjt	BJT injection saturation current
$i_{sdif}$	Isdif	Body to source/drain injection saturation current
$i_{srec}$	Isrec	Recombination in depletion saturation current
$i_{stun}$	Istun	Reverse tunneling saturation current
$V_{rec0}$	Vrec0	Voltage dependent parameter for recombination current

## Appendix E: Model Parameter Binning

$V_{tun0}$	Vtun0	Voltage dependent parameter for tunneling current
$N_{bjt}$	Nbjt	Power coefficient of channel length dependency for bipolar current
$L_{bjt0}$	Lbjt0	Reference channel length for bipolar current
$V_{abjt}$	Vabjt	Early voltage for bipolar current
$A_{ely}$	Aely	Channel length dependency of early voltage for bipolar current
$A_{hli}$	Ahli	High level injection parameter for bipolar current

### E.2. AC and Capacitance Parameters

Symbol used in equation	Symbol used in SPICE	Description
$V_{sdfb}$	vsdfb	Source/drain bottom diffusion capacitance flatband voltage
$V_{sdth}$	vsdth	Source/drain bottom diffusion capacitance threshold voltage
$DelVt$	delvt	Threshold voltage adjust for C-V
$acde$	acde	Exponential coefficient for charge thickness in capMod=3 for accumulation and depletion regions.
$moin$	moin	Coefficient for the gate-bias dependent surface potential.

## References

- [1] Y. Cheng, M. C. Jeng, Z. H. Liu, J. Huang M. Chan, P. K. Ko, and C. Hu, "A Physical and Scalable I-V Model in BSIM3v3 for Analog/Digital Circuit Simulation", *IEEE Trans. On Elec. Dev.*, vol. 42, p. 2, Feb 1997.
- [2] BSIM3SOIv1.3 Users' Manual, UC Berkeley, Department of EECS.
- [3] W. Jin, P. C. H. Chan, S. K. H. Fung, P. K. Ko, "A Physically-Based Low-Frequency Noise Model for NFD SOI MOSFET's", *IEEE Intl. SOI conf.*, pp. 23-24, 1998.
- [4] BSIM3v3.2 Users' Manual, UC Berkeley, Department of EECS.
- [5] D. Suh, J. G. Fossum, "A physical charge-based model for non-fully depleted SOI MOSFET's and its use in assessing floating-body effects in SOI CMOS circuits", *IEEE Tran. on Electron Devices*, vol. 42, no. 4, pp. 728-37, April 1995.
- [6] M. S. L. Lee, W. Redman-White, B. M. Tenbroek, M. Robinson, "Modelling of thin film SOI devices for circuit simulation including per-instance dynamic self-heating effects", *IEEE Intl. SOI conf.*, pp. 150-151, 1993.
- [7] D. Sinitsky, S. Tang, A. Jangity, F. Assaderaghi, G. Shahidi, C. Hu, "Simulation of SOI Devices and Circuits using BSIM3SOI", *IEEE Electron Device Letters*, vol. 19, no. 9, pp. 323-325, September 1998.
- [8] G. S. Gildenblat, VLSI Electronics: Microstructure Science, p. 11, vol. 18, 1989.
- [9] M. C. Jeng, "Design and Modeling of Deep-Submicrometer MOSFETs", Ph. D. Dissertation, UC Berkeley.

## References

---

- [10] D. Sinitsky, S. Fung, S. Tang, P. Su, M. Chan, P. Ko, C. Hu, "A Dynamic Depletion SOI MOSFET Model for SPICE", in *Dig. Tech. Papers, Symp. VLSI Technology*, 1998.
- [11] D. Sinitsky, R. Tu, C. Liang, M. Chan, J. Bokor and C. Hu, "AC output conductance of SOI MOSFETs and impact on analog applications", *IEEE Electron Device Letters*, vol.18, no.2, pp. 36-38, Feb 1997.
- [12] T. Y. Chan, P. K. Ko and C. Hu, "A Simple Method to Characterize Substrate Current in MOSFETs", *IEEE Electron Dev. Letts.*, EDL-5, Dec 1984, p. 505.
- [13] S. A. Parke, J. E. Moon, H. C. Wann, P. K. Ko and C. Hu, "Design for suppression of gate-induced drain leakage in LDD MOSFETs using a quasi-two-dimensional analytical model", *IEEE Trans. On Electron Device*, vol. 39, no. 7, pp. 1697-703, July 1992.
- [14] J. Gautier and J. Y.-C. Sun, "On the transient operation of partially depleted SOI NMOSFET's", *IEEE Electron device letters*, vol.16, no.11, pp. 497-499, Nov 1995.
- [15] L. T. Su, D. A. Antoniadis, M. I. Flik, J. E. Chung, "Measurement and modeling of self- heating effects in SOI nMOSFETs", *IEDM tech. Digest*, pp. 357-360, 1994.
- [16] R. H. Tu, C. Wann, J. C. King, P. K. Ko, C. Hu, "An AC Conductance Technique for Measuring Self-Heating in SOI MOSFET's", *IEEE Electron device letters*, vol.16, no.2, pp. 67-69, Feb. 1995.
- [17] P. Su, S. K. H. Fung, F. Assaderaghi, C. Hu, "A Body-Contact SOI MOSFET Model for Circuit Simulation", *Proceedings of the 1999 IEEE Intl. SOI Conference*, pp.50-51.
- [18] P. Su, S. K. H. Fung, S. Tang, F. Assaderaghi and C. Hu, "BSIMPD: A Partial-Depletion SOI MOSFET Model for Deep-Submicron CMOS Designs", *Proceedings of the IEEE 2000 Custom Integrated Circuits Conference*, pp.197-200.

## References

---

- [19] H. Nakayama, P. Su, C. Hu, M. Nakamura, H. Komatsu, K. Takeshita, Y. Komatsu, "Methodology of Self-Heating Free Parameter Extraction and Circuit Simulation for SOI CMOS", *Proceedings of the IEEE 2001 Custom Integrated Circuits Conference*, pp.381-384.
- [20] P. Su, "An International Standard Model for SOI Circuit Design," Ph. D. Dissertation, Department of EECS, University of California at Berkeley, December 2002.  
(<http://www.eecs.berkeley.edu/~pinsu>)
- [21] <http://www.eigroup.org/cmc>
- [22] P. Su, S. Fung, H. Wan, A. Niknejad, M. Chan and C. Hu, "An impact ionization model for SOI circuit simulation," *2002 IEEE International SOI Conference Proceedings*, Williamsburg, VA, Oct. 2002, pp. 201-202.
- [23] P. Su, K. Goto, T. Sugii and C. Hu, "A thermal activation view of low voltage impact ionization in MOSFETs," *IEEE Electron Device Letters*, vol. 23, no. 9, September 2002.
- [24] P. Su, K. Goto, T. Sugii and C. Hu, "Enhanced substrate current in SOI MOSFETs," *IEEE Electron Device Letters*, vol. 23, no. 5, pp. 282-284, May 2002.
- [25] P. Su et al., "On the body-source built-in potential lowering of SOI MOSFETs," *IEEE Electron Device Letters*, February 2003.
- [26] BSIMSOI3.2 Users' Manual, UC Berkeley, Department of EECS.

## References

---

- [27] BSIM4.5.0 Users' Manual, UC Berkeley, Department of EECS.
- [28] H. Wan, P. Su, S.K.H. Fung, C.L. Chen, P.W. Wyatt, A.M. Niknejad, C. Hu, "RF Modeling for FDSOI MOSFET and Self Heating Effect on RF Parameter Extraction", *Eighth International Conference on Modeling and Simulation of Microsystems*, May 2005.
- [29] K.W. Su, K.H. Chen, T.X. Chung, et. al, "Modeling Isolation-induced Mechanical Stress Effect on SOI MOS Devices", *IEEE International SOI conference Proceedings*, pp 80-82, 2003.
- [30] Xuemei Xi, Fei Li, Bogdan Tudor, Wenyuan Wang, Weidong Liu, Frank Lee, Ping Wang, Niraj Subba, Jung-Suk Goo, "An Improved Impact Ionization Model for SOI Circuit Simulation", *Eleventh International Conference on Modeling and Simulation of Microsystems*, June 2008.